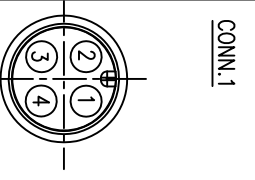
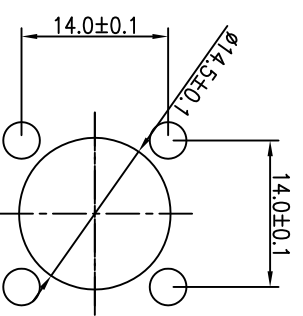
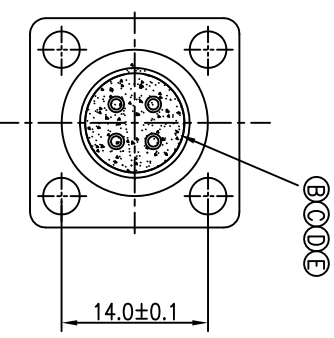
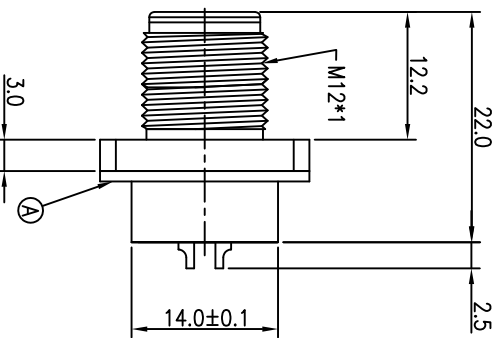
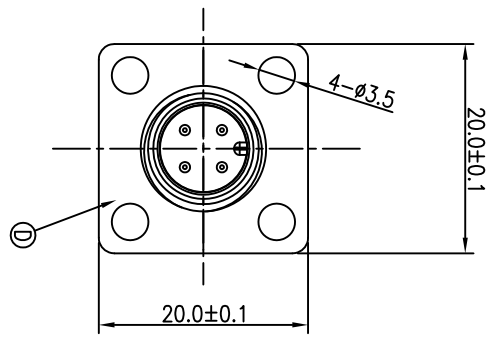
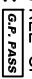






REV.	ECN NO OR DESCRIPTION	REVISED	DATE
A	PDR NO : T120322-1A	Horlen	2012.4.9



Recommend Panel Cut-out

- NOTES:
1. WATERPROOF RATE: IP67
 2. CURRENT RATING: 60V AC/DC 5A
 3. SPECIFICATIONS:SEE "M12 SERIES SPECIFICATIONS".
 4. TO CONFORM TO SINGATRON HAZARDOUS SUBSTANCE FREE SPEC.
 5. GREEN PRODUCT IDENTIFICATION LABEL ON PACKAGING: 
 6. FOR PANEL THICKNESS MAX OF 4.5mm

E	LIQUID GLUE	1	N/A	BLACK
D	SHIELD	1	BRASS	NICKEL PLATING
C	MALE PIN	4	BRASS	6u" GOLD PLATING OVER NICKEL PLATING
B	BODY	1	NYLON+33%GF	BLACK
A	GASKET	1	SILICONE	BLACK
NO	DESCRIPTION	QTY	MATERIAL	PLATING & COLOR
UNLESS OTHERWISE SPECIFIED TOLERANCES				
 Singatron Enterprise Co., Ltd. 信亨企業股份有限公司				
TITLE M12 SERIES FRONT MOUNT MALE CONN. (4PIN)				
DECMALS:		ANGLES:		
X	:±0.5	X	:±2°	
X.X	:±0.3	X.X	:±1'	
X:XX	:±0.2			
 Singatron Enterprise Co., Ltd. 信亨企業股份有限公司				
TITLE M12 SERIES FRONT MOUNT MALE CONN. (4PIN)				
DWN	Horlen	PART NO.2MT3003-W043A0H	UNIT: mm	
CHKD	Steve	SCALE 2:1	UNIT: mm	
APVD	Tony	SIZE: A3	SHEET: 1 OF 1	REV:A

CUSTOMER COPY