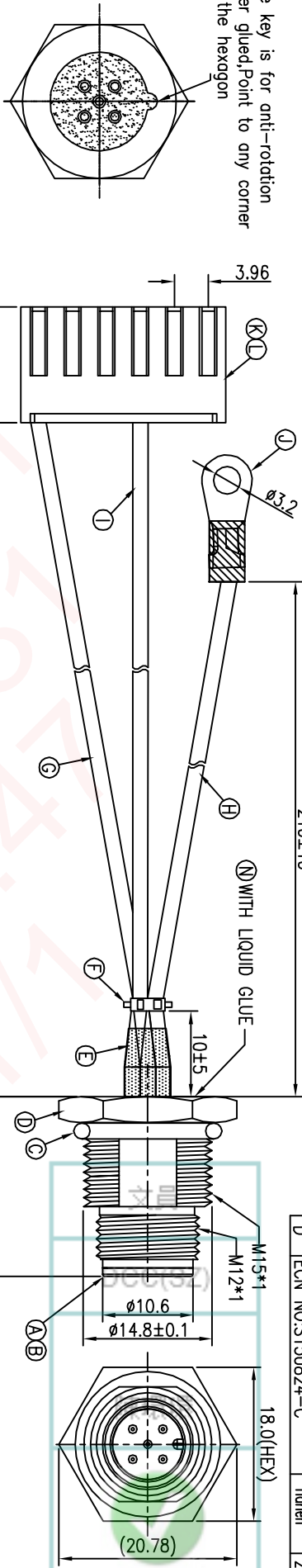


REV.	ECN NO.	OR DESCRIPTION	REVISED	DATE
A	PDR NO. T121218-16A		Harden	2013.1.14
B	ECN NO:S130155		Harden	2013.1.30
D	ECN NO:S150824-C		Harden	2015.8.17

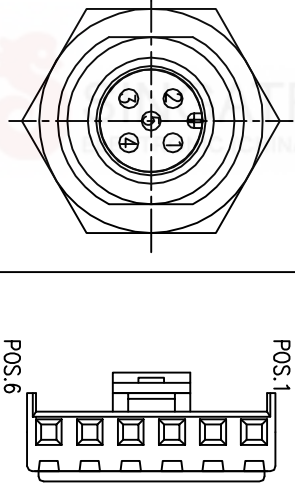
The key is for anti-rotation after glued, Point to any corner of the hexagon



CONN.	WIRE COLOR	HOUSING	R-TERMINAL
5	GREEN/YELLOW		R-TERMINAL
4	BLACK		
3	BLACK	3	
2			
1	RED	6	

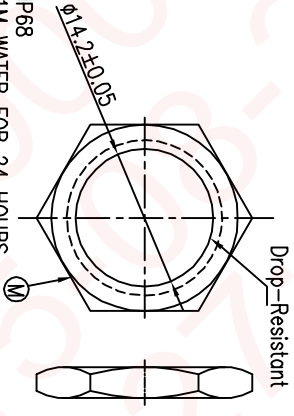
PIN OUT

CONN. HOUSING



Pin Assignments
Front View

- NOTES:
1. WATERPROOF RATE: IP68
IP68: IMMersed IN 1M WATER FOR 24 HOURS
 2. ELECTRICAL CHARACTERISTICS
TEMPERATURE RANGE: -40°C TO +100°C(PANEL)
RATING: 60V AC/DC 5A
DIELECTRIC WITHSTANDING VOLTAGE: 500V AC FOR ONE MINUTE
 3. SPECIFICATIONS:SEE "M12 SERIES SPECIFICATIONS"
 4. TO CONFORM TO SINGATRON HAZARDOUS SUBSTANCE FREE SPEC.
 5. GREEN PRODUCT IDENTIFICATION LABEL ON PACKAGING:
 6. FOR PANEL THICKNESS MAX OF 4.5mm
 7. NUT TORQUE: 11.5kgf.cm Max.



Recommend Panel Cut-out

N	LIQUID GLUE	1	N/A	BLACK
M	NUT	1	Brass Drop-Resistant	NICKEL PLATING
L	HOUSING	1	Nylon 66 UL94V-0	WHITE
K	TERMINAL	2	Phosphor Bronze	TIN PLATED
J	R-TERMINAL	1	OD=φ5.5 ID=φ3.2	TIN PLATED
I	WIRE	1	UL 1015 18AWG	BLACK
H	WIRE	1	UL 1015 18AWG	GREEN/YELLOW
G	WIRE	1	UL 1015 18AWG	RED
F	CABLE TIES	1	NYLON	BLACK
E	SHRINK TUBE	3	φ2.0mm L=8mm	BLACK
D	SHIELD	1	BRASS	NICKEL PLATING
C	O-RING	1	EPDM	BLACK
B	MALE PIN	5	BRASS	6μ" GOLD PLATING OVER NICKEL PLATING
A	BODY	1	NYLON+33%GF	BLACK
NO	DESCRIPTION	QTY	MATERIAL	PLATING & COLOR

UNLESS OTHERWISE SPECIFIED TOLERANCES

Singatron Enterprise Co., Ltd.
信亨企業股份有限公司

M12 SERIES FRONT MOUNT MALE CONN. SPIN
HEXAGONAL BACKSHELL

DECIMALS: ANGLES: :±0.5 X :±2
:±0.3 X.X :±1'
:±0.2 X.XX

APVD Steve SIZE: A3 SHEET: 1 OF 1 REV: D

CUSTOMER COPY