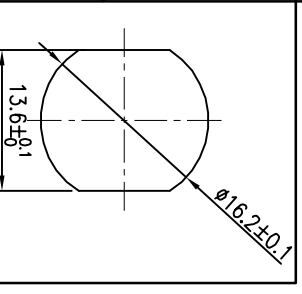
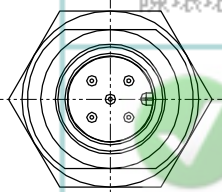
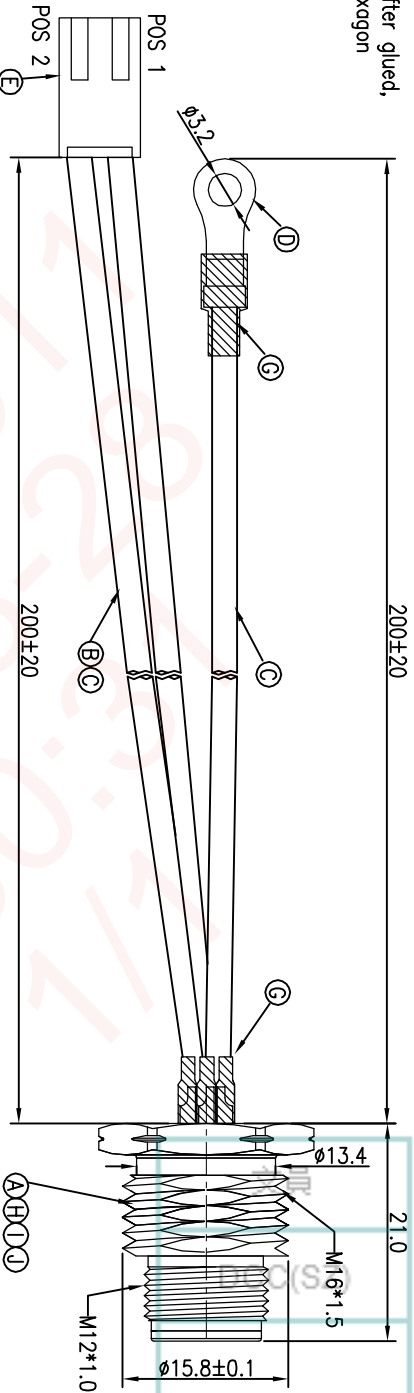
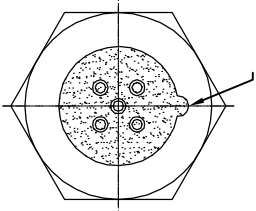
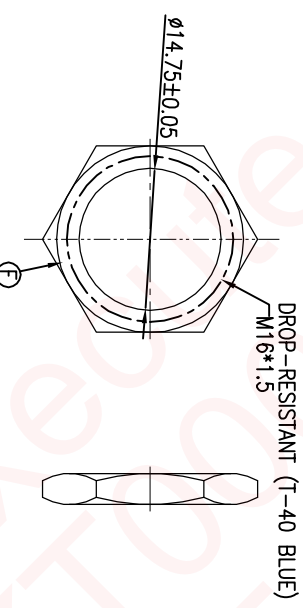


REV	ECN NO.	OR DESCRIPTION	REVISED	DATE
A	PDR NO. T121218-14A	Horlen	13.1.14	
B	ECN NO:S130155	Horlen	13.1.28	
C	ECN NO:S150824-C	Horlen	2015.8.17	

The key is for anti-rotation after glued,
Point to any corner of the hexagon

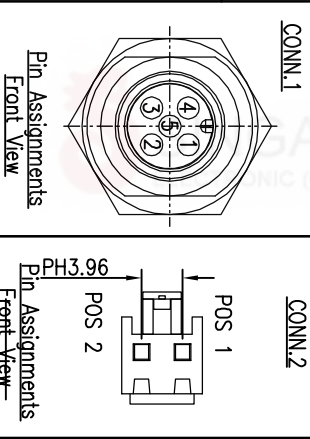


Recommend Panel Cut-out	
5	BLACK
4	/
3	RED
2	/
1	BLACK



NOTES:

- ELECTRICAL CHARACTERISTICS
TEMPERATURE RANGE: -40°C TO +100°C(PANEL)
RATING: 60V AC/DC 5A
- SPECIFICATIONS:SEE "M12 SERIES SPECIFICATIONS"
- TO CONFORM TO SINGATRON HAZARDOUS SUBSTANCE FREE SPEC.
- GREEN PRODUCT IDENTIFICATION LABEL ON PACKAGING:
- FOR PANEL THICKNESS MAX OF 4.5mm
- NUT TORQUE: 11.5kgf.cm Max.



J	SHIELD	1	BRASS	NICKEL PLATING
I	LIQUID GLUE	1	N/A	BLACK
H	MALE PIN	5	BRASS	6U" GOLD PLATING OVER NICKEL PLATING
G	HEAT SHRINK TUBE	4	Ø3.0mm L10mm 300V 12S	BLACK
F	NUT	1	BRASS	TIN PLATING
E	CONNECTOR	1	Nylon 66 UL94V-0	WHITE
D	TERMINAL	2	BRASS	TIN PLATING
C	WIRE	1	Ø5.0 ID3.2	TIN PLATING
B	WIRE	2	UL 1015 22AWG	BLACK
A	WIRE	1	UL 1015 22AWG	RED
A	BODY	1	NYLON+33%GF	BLACK

NO	DESCRIPTION	QTY	MATERIAL	PLATING & COLOR
UNLESS OTHERWISE SPECIFIED TOLERANCES				
Singatron Enterprise Co., Ltd. 信登企業股份有限公司				
TITLE: M12 SERIES FRONT MOUNT MALE CONN. 5PIN				
HEXAGONAL BACKSHELL				

DECIMALS:	ANGLES:
X :±0.5	X :±2°
XX :±0.3	XX :±1°
XXX :±0.2	

CUSTOMER COPY