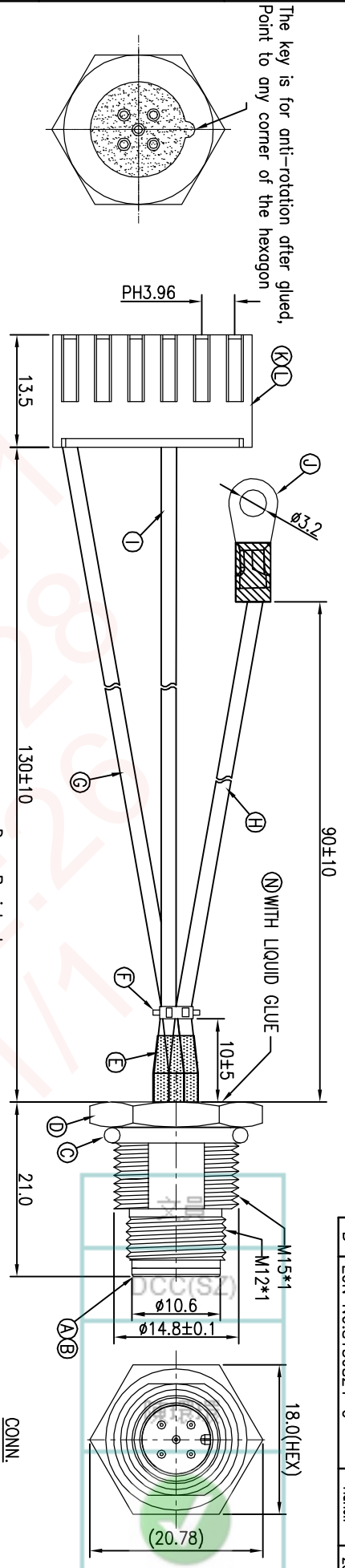
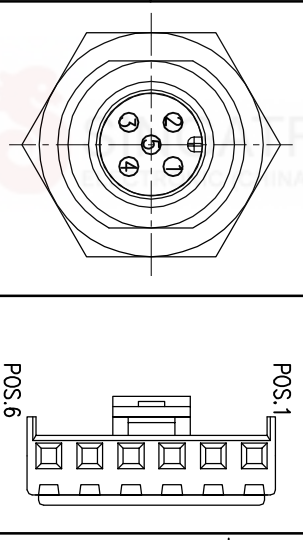
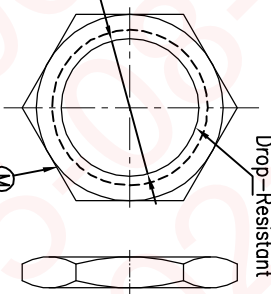
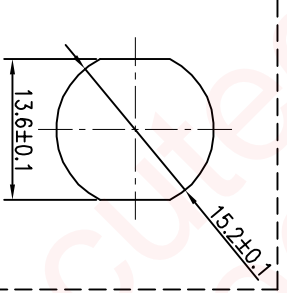


REV	ECN NO OR DESCRIPTION	REVISED	DATE
A	PDR NO:130411-1A	Harden	2013.6.9
B	ECN NO:S150824-C	Harden	2015.8.17



The key is for anti-rotation after glued,
Point to any corner of the hexagon

CONN.	WIRE COLOR	HOUSING	R-TERMINAL
1	RED	6	---
2	---	---	---
3	---	---	---
4	BLACK	3	---
5	GREEN/YELLOW	---	R-TERMINAL



NOTES:
1. WATERPROOF RATE: IP67
2. ELECTRICAL CHARACTERISTICS
RATING: 60V AC/DC 5A
3. SPECIFICATIONS:SEE "M12 SERIES SPECIFICATIONS".
4. TO CONFORM TO SINGATRON HAZARDOUS SUBSTANCE FREE SPEC.
5. GREEN PRODUCT IDENTIFICATION LABEL ON PACKAGING: **GREEN**
6. FOR PANEL THICKNESS MAX OF 4.5mm
7. NUT TORQUE: 11.5kgf.cm Max.

NO	DESCRIPTION	QTY	MATERIAL	PLATING & COLOR
A	BODY	1	NYLON+33%GF	BLACK
B	MALE PIN	5	BRASS	6u" GOLD PLATING OVER NICKEL PLATING
C	O-RING	1	SILICONE	BLACK
D	SHIELD	1	BRASS	NICKEL
E	SHRINK TUBE	3	Ø2.0mm L=8mm	BLACK
F	CABLE TIES	1	NYLON	BLACK
G	WIRE	1	UL 1015 18AWG	GREEN/YELLOW
H	WIRE	1	UL 1015 18AWG	BLACK
I	WIRE	1	UL 1015 18AWG	BLACK
J	R-TERMINAL	1	OD=Ø5.5 ID=Ø3.2	TIN PLATED
K	TERMINAL	2	Phosphor Bronze	TIN PLATED
L	HOUSING	1	Nylon 66 UL94V-0	WHITE
M	NUT	1	BRASS Drop-Resistant	NICKEL
N	LIQUID GLUE	1	N/A	BLACK

DECIMALS:	ANGLES:	TITLE	SCALE	SHEET	REV
X : ±0.5	X : ±2°	M12 SERIES FRONT MOUNT MALE CONN. 5PIN	2:1	mm	1
X.X : ±0.3	X.X : ±1°	信登企業股份有限公司	A3	mm	B
X.XX : ±0.2		Singatron Enterprise Co., Ltd.			

UNLESS OTHERWISE SPECIFIED TOLERANCES	REVISED	DATE
	2015/08/26	09:26:28