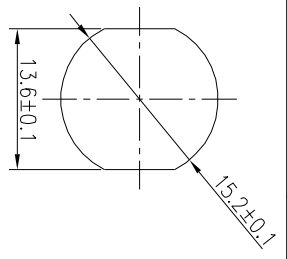
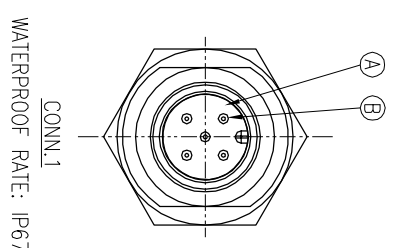
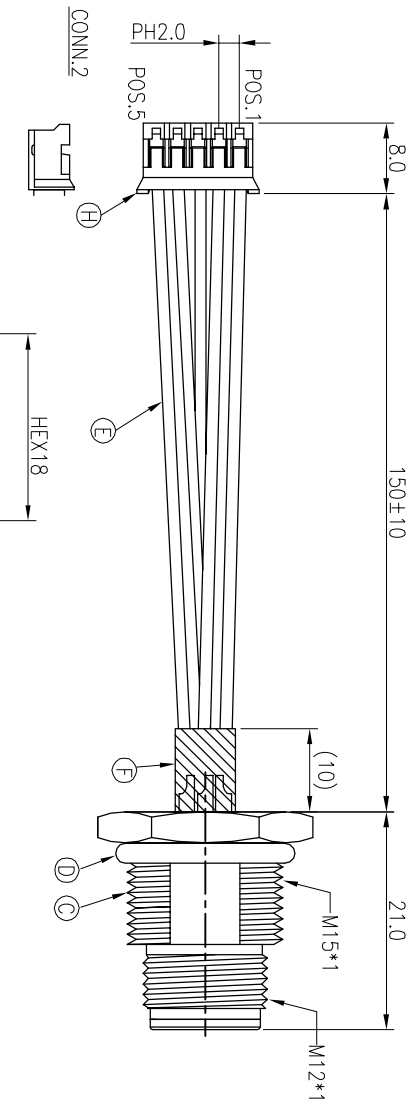
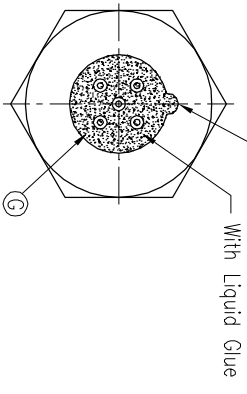


REV	ECN NO	OR DESCRIPTION	REVISED	DATE
A	PDR NO.:T200410-2A		Wcky	2020.10.22



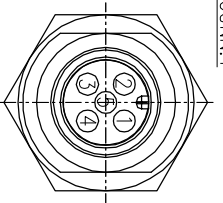
Recommend Panel Cut-out

The key is for anti-rotation after glued, Point to any corner of the hexagon

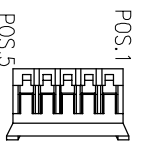


WATERPROOF RATE: IP67

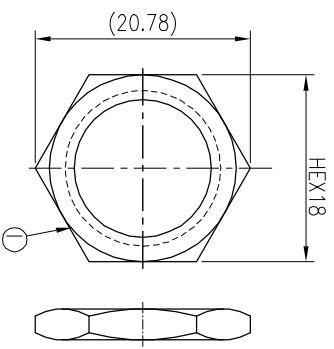
5	GREEN	5
4	BLACK	4
3	BLUE	3
2	WHITE	2
1	BROWN	1
CONN.1 WIRE COLOR		CONN.2
PIN OUT		



Pin Assignments Front View



Pin Assignments Front View



NOTES:

- ELECTRICAL CHARACTERISTICS  
RATING: 60V AC/DC, 5A  
DIELECTRIC WITHSTANDING VOLTAGE: 500V AC FOR ONE MINUTE  
TEMPERATURE RANGE: -20°C TO +80°C
- TEMPERATURE RANGE: -20°C TO +80°C
- SPECIFICATIONS: SEE "M12 SERIES SPECIFICATIONS."
- TO CONFORM TO SINGATRON HAZARDOUS SUBSTANCE FREE SPEC.
- GREEN PRODUCT IDENTIFICATION LABEL ON PACKAGING:
- FOR PANEL THICKNESS MAX OF 4.5mm
- NUT 附件包装出货

I	NUT	1	BRASS	NICKEL PLATING
H	CONNECTOR	1	Nylon 66 UL94V-0	WHITE
G	LIQUID GLUE	5	PHOSPHOR BRONZE	TIN PLATING
F	HEAT SHRINK TUBE	1	N/A	BLACK
E	WIRE	5	ø2.4mm 300V 125°	BLACK
D	O-RING	5	UL 1061 22AWG	SEE WIRE COLOR
C	SHIELD	1	EPDM	BLACK
B	MALE PIN	1	BRASS	NICKEL PLATING
A	BODY	5	BRASS	6u" GOLD PLATING OVER NICKEL PLATING
NO	DESCRIPTION	1	PA66	BLACK

UNLESS OTHERWISE SPECIFIED TOLERANCES

DECIMALS: ANGLES: TITLE

MM W/ckv V/ckv Gery

APVD W/llion

CUSTOMER COPY