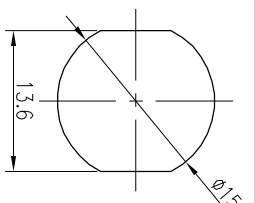
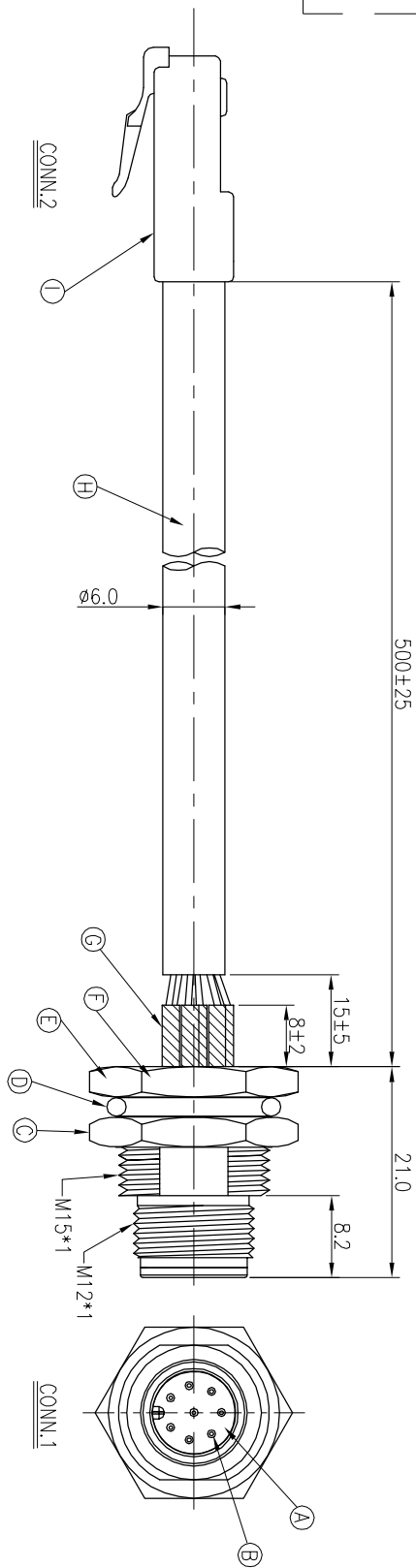


REV	ECN NO	OR DESCRIPTION	REVISED	DATE
A	PDR NO.:A220126-2A	LEI		2022.05.09

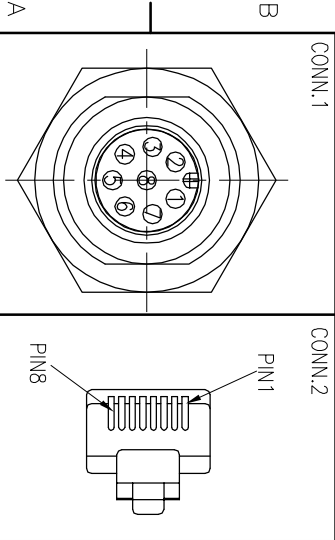


Recommend Panel Cut-out



CONN.1	DRAIN WIRE	CONN.2
1	ORANGE/WHITE	1
2	ORANGE	2
3	GREEN/WHITE	3
4	BLUE	4
5	BLUE/WHITE	5
6	GREEN	6
7	BROWN/WHITE	7
8	BROWN	8
CONN.1	WIRE COLOR	CONN.2

PIN DEFINITION



- NOTES:
1. WATERPROOF RATE: IP68
IP68: IMMERSED IN 1M WATER FOR 24 HOURS
 2. CURRENT RATING: 60V AC/DC 2A
 3. SPECIFICATIONS:SEE "M12 SERIES SPECIFICATIONS".
 4. TO CONFORM TO SINGATRON HAZARDOUS SUBSTANCE FREE SPEC.
 5. GREEN PRODUCT IDENTIFICATION LABEL ON PACKAGING:
 6. FOR PANEL THICKNESS MAX OF 4.5mm

I	RJ45 PLUG	1	8P8C	N/A
H	CABLE(客供)	1	CAT5E FTP 24#*4P+ MY+D+A/M	BLACK(PVC JACKET)
G	HEAT SHRINK TUBE	8	125' 300V	BLACK
F	LIQUID GLUE	1	N/A	BLACK
E	SHIELD	1	BRASS	NICKEL PLATING 100u"
D	O-RING	1	EPDM	BLACK
C	NUT	1	BRASS	NICKEL PLATING 100u"
B	PIN	8	BRASS	6u" GOLD PLATED OVER NICKEL PLATING
A	BODY	1	PA66+GF	N/A
NO	DESCRIPTION	QTY	MATERIAL	PLATING & COLOR

UNLESS OTHERWISE SPECIFIED TOLERANCES

UNLESS OTHERWISE SPECIFIED TOLERANCES

蘇州信達汽車電子有限公司
Suzhou Singatron Auto Electronics CO.,LTD.

DECIMALS:	ANGLES:
X :±0.5	X :±2'
X.X :±0.3	X.X :±1'
X.XX :±0.2	

CUSTOMER COPY