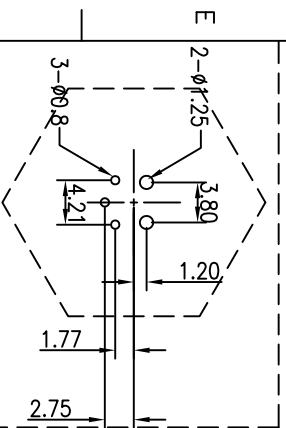
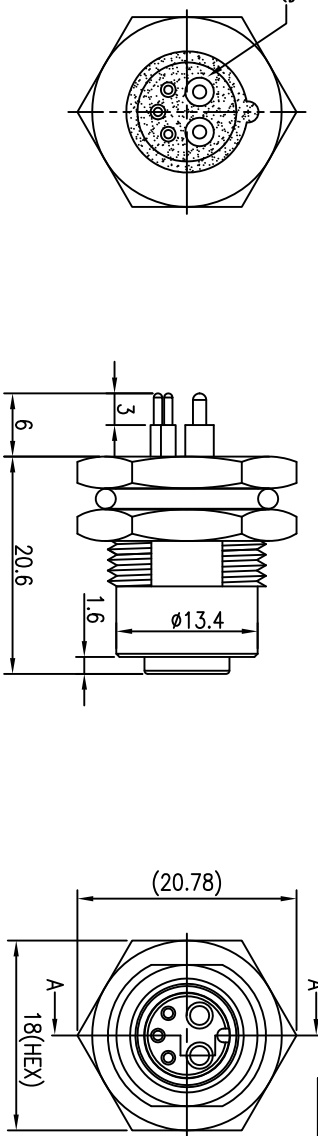
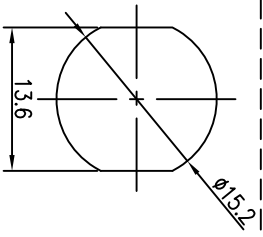


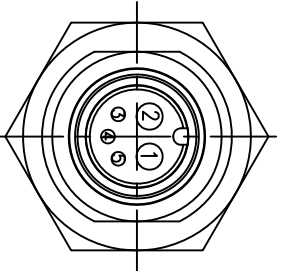
REV.	ECN NO OR DESCRIPTION	REVISED	DATE
A	PDR NO.:S130509-3D	LILY	2013.07.03
B	ECN NO.:S140907	Wicky	2014.09.02



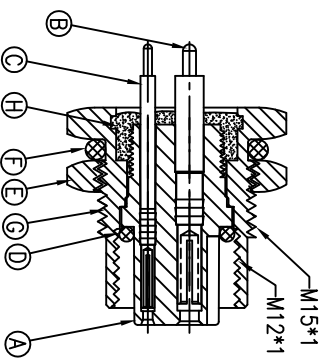
(2+3) Pin Female Connector
Female Pin PCB Layout



Recommend Panel Cut-out



Pin Assignments
Front View



SECTION A-A

- NOTES:
1. WATERPROOF RATE: IP68
IP68: IMMERSED IN 1M WATER FOR 24 HOURS
 2. ELECTRICAL CHARACTERISTICS
TEMPERATURE RANGE: -40°C TO +100°C
RATING: 60V AC/DC (10+2)A
DIELECTRIC WITHSTANDING VOLTAGE: 500V AC FOR ONE MINUTE
 3. SPECIFICATIONS:SEE "M12 SERIES SPECIFICATIONS."
 4. TO CONFORM TO SINGATRON HAZARDOUS SUBSTANCE FREE SPEC.
 5. GREEN PRODUCT IDENTIFICATION LABEL ON PACKAGING: [CSP:PASS]
 6. FOR PANEL THICKNESS MAX OF 4.0mm

NO	DESCRIPTION	QTY	MATERIAL	PLATING & COLOR
H	LIQUID GLUE	1	N/A	BLACK
G	SHIELD	1	BRASS	NICKEL PLATING 100u"
F	O-RING	1	EPDM	BLACK
E	NUT	1	BRASS	NICKEL PLATING 100u"
D	O-RING	1	VITON	RED
C	FEMALE PIN	3	Phosphor Bronze	1u" GOLD PLATING OVER NICKEL PLATING
B	FEMALE PIN	2	Phosphor Bronze	1u" GOLD PLATING OVER NICKEL PLATING
A	BODY	1	NYLON+33%GF	BLACK

UNLESS OTHERWISE SPECIFIED TOLERANCES

DECIMALS:	ANGLES:
X : ±0.5	X : ±2°
X.X : ±0.3	X.X : ±1°
X.XX : ±0.2	

Singatron Enterprise Co., Ltd.
信音企業股份有限公司
M12 SERIES FRONT MOUNT FEMALE CONN.(2+3PIN)
HEXAGONAL BACKSHELL

TITLE: DWN Wicky
CHKD: Harlen
APVD: Steve

PART NO. 2MT3004-W05900H
SCALE 2:1
UNIT: mm
SHEET: 1 OF 1
REV: B

CUSTOMER COPY