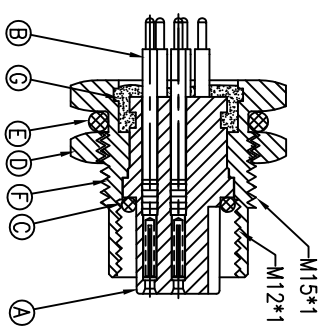
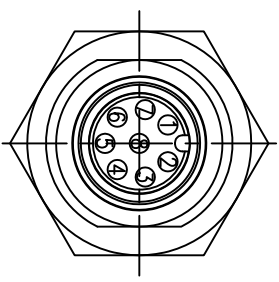
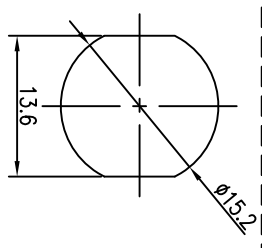
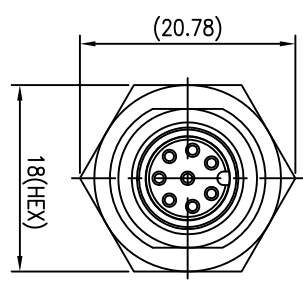
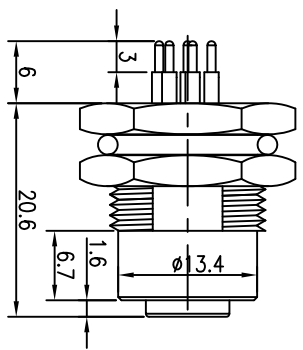
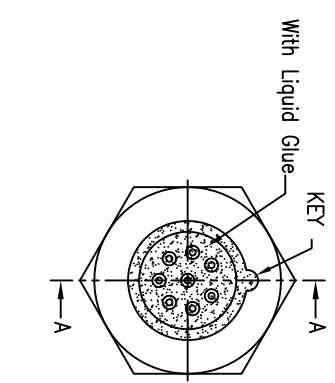
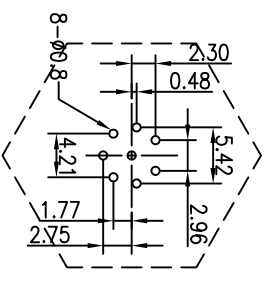


REV.	ECN NO OR DESCRIPTION	REVISED	DATE
A	PDR NO.:T09012015X	Steve	2009.01.08
B	ECN NO:S130338	Harlen	2013.3.27



SECTION A-A



8Pin Female Connector
Female Pin PCB Layout

- NOTES:
1. WATERPROOF RATE: IP68
IP68: IMMERSED IN 1M WATER FOR 24 HOURS
 2. ELECTRICAL CHARACTERISTICS
TEMPERATURE RANGE: -40°C TO +100°C
RATING: 60V AC/DC 2A
 3. DIELECTRIC WITHSTANDING VOLTAGE: 500V AC FOR ONE MINUTE
 4. SPECIFICATIONS:SEE "M12 SERIES SPECIFICATIONS".
 5. TO CONFORM TO SINGATRON HAZARDOUS SUBSTANCE FREE SPEC.
 6. GREEN PRODUCT IDENTIFICATION LABEL ON PACKAGING: GR PASS

G	LIQUID GLUE	1	B	BLACK
F	SHIELD	1	B	NICKEL PLATING 100u"
E	O-RING	1	B	BLACK
D	NUT	1	B	NICKEL PLATING 100u"
C	O-RING	1	B	RED
B	FEMALE PIN	8	B	6u" GOLD PLATED OVER NICKEL PLATING
A	BODY	1	B	BLACK
NO	DESCRIPTION	QTY	MATERIAL	PLATING & COLOR
UNLESS OTHERWISE SPECIFIED TOLERANCES				
DECIMALS: ANGLES:				
X	:±0.5	X	:±2°	
XX	:±0.3	XX	:±1°	
X.XX	:±0.2			
TITLE: M12 SERIES FRONT MOUNT FEMALE CONN (8PIN) HEXAGONAL BACKSHELL				
DWG: Harlen				
CHKD: James				
APVD: Steve				
PART NO.:2MT9004-W08200				
SCALE: 2:1				
UNIT: mm				
SIZE: A3				
SHEET: 1 OF 1				
REV: B				

Singatron Enterprise Co., Ltd.
信昌企業股份有限公司

CUSTOMER COPY