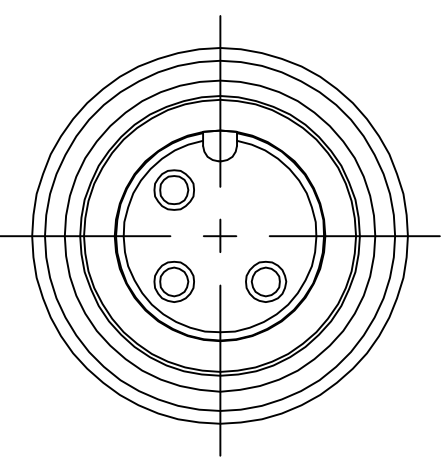
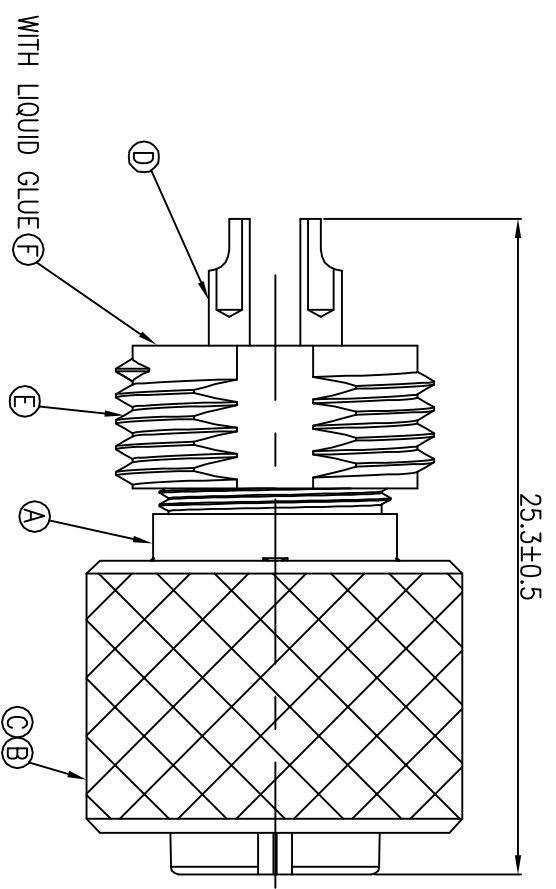


REV.	ECN NO OR DESCRIPTION	REVISED	DATE
1	PDR NO.:S170915-3A	JF	2017.09.18



- NOTES:
1. WATERPROOF RATE: IP67(WHEN PROPERLY MATED)
 2. INSULATION RESISTANCE: 100M Ohm Min. BY 500 VDC
 3. TEMPERATURE RANGE: -40°C TO +105°C
 4. SPECIFICATIONS:SEE "M12 SERIES SPECIFICATIONS".
 5. TO CONFORM TO SINGATRON HAZARDOUS SUBSTANCE FREE SPEC.
 6. GREEN PRODUCT IDENTIFICATION LABEL ON PACKAGING:

F	LIQUID GLUE	1	N/A	BLACK
E	SERCW NUT	1	PA66+GF	BLACK
D	FEMALE PIN	3	Phosphor Bronze	GOLD PLATING OVER NICKEL PLATING
C	O-RING	1	VITON	RED
B	SERCW NUT	1	BRASS	OVER NICKEL PLATING
A	BODY	1	TPU	BLACK
NO	DESCRIPTION	QTY	MATERIAL	PLATING & COLOR
UNLESS OTHERWISE SPECIFIED TOLERANCES				
Singatron Enterprise Co., Ltd. 信音企業股份有限公司				
DECIMALS:	ANGLES:	TITLE		
X :±0.5	X :±2°	M12 SERIES FEMALE CONN.(54)		
XX :±0.3	XX :±1°	DWG	JF	PART NO.2MT3010-W033D0H
XX :±0.2		CHKD	Yang	SCALE 4:1 UNIT: mm
		APVD	Steve	SIZE: A3 SHEET:1 OF 1 REV: A

CUSTOMER COPY