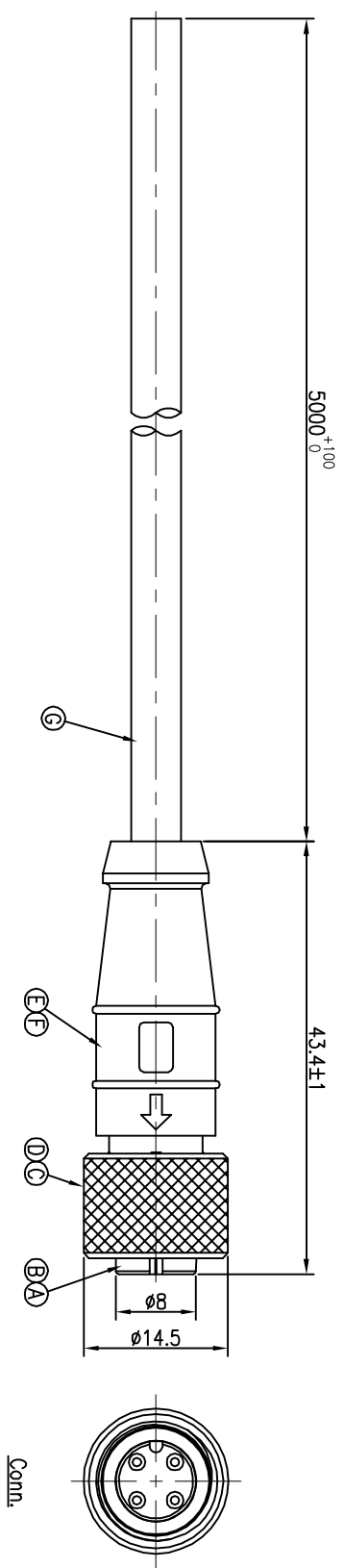
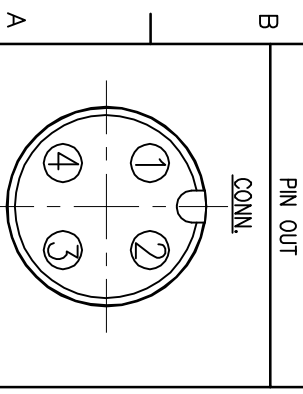


REV.	ECN NO.	OR DESCRIPTION	REVISED	DATE
A	PDR NO.:S170214-3C		Wcky	2017.02.14



BLACK	4
BLUE	3
WHITE	2
BROWN	1
WIRE COLOR	CONN.
PIN OUT	
CONN.	



NOTES:
 1 ELECTRICAL CHARACTERISTICS:
 1-1 CURRENT RATING: 5 AMPS.
 1-2 CONTACT RESISTANCE: 3 Ohm Max.
 1-3 INSULATION RESISTANCE: 100 Mohm Min. at 500VDC.
 1-4 BREAKDOWN VOLTAGE: 500 VAC PER MINUTE.
 2. ENVIRONMENTAL:
 2-1 OPERATING TEMPERATURE: -20°C TO +80°C.
 2-2 SEALING REQUIREMENTS: IP67.
 3. LIFE TEST: 1,000 CYCLES MIN.
 4. OTHER GENERAL SPEC. TO REFER "M12 SERIES SPEC."
 5. FOR TECHNICAL DATA REFER TO YOUR LOCAL SINGATRON ELECTRONICS SALES OFFICE.
 6. ALL DIMENSIONS ARE NOMINAL FOR REFERENCE ONLY UNLESS OTHERWISE STATED.
 7. TO CONFORM TO SINGATRON HAZARDOUS SUBSTANCE FREE SPEC.
 8. GREEN PRODUCT IDENTIFICATION LABEL ON PACKAGING: .

NO	DESCRIPTION	QTY	MATERIAL	PLATING & COLOR
A	BODY	1	TPU	BLACK
B	FEMALE PIN	4	Phosphor Bronze	(1~3)u" GOLD PLATING OVER NICKEL PLATING
C	SCREW NUT	1	BRASS	NICKEL PLATING 100u"
D	O-RING	1	VITON	RED
E	OVER MOLD	1	TPU	BLACK
F	INNER MOLD	1	TPU	NATURAL
G	CABLE	1	UL2464 22AWG*4C+A, PVC Jacket, UV Resistant, OD=05.0	BLACK

DECIMALS:	ANGLES:
X :±0.5	X :±2°
X.X :±0.3	X.X :±1'
X.XX :±0.2	

UNLESS OTHERWISE SPECIFIED TOLERANCES		Singatron Enterprise Co., Ltd. 信晉企業股份有限公司	
TITLE	M12 SERIES 1807(4)PIN FEMALE CONN		
DWN	Vcky	PART NO. 2MT3010-W043CBH	
CHKD	Harden	SCALE 2:1	UNIT: mm
APVD	Steve	SIZE: A3	SHEET: 1 OF 1
REVISION: A			

CUSTOMER COPY