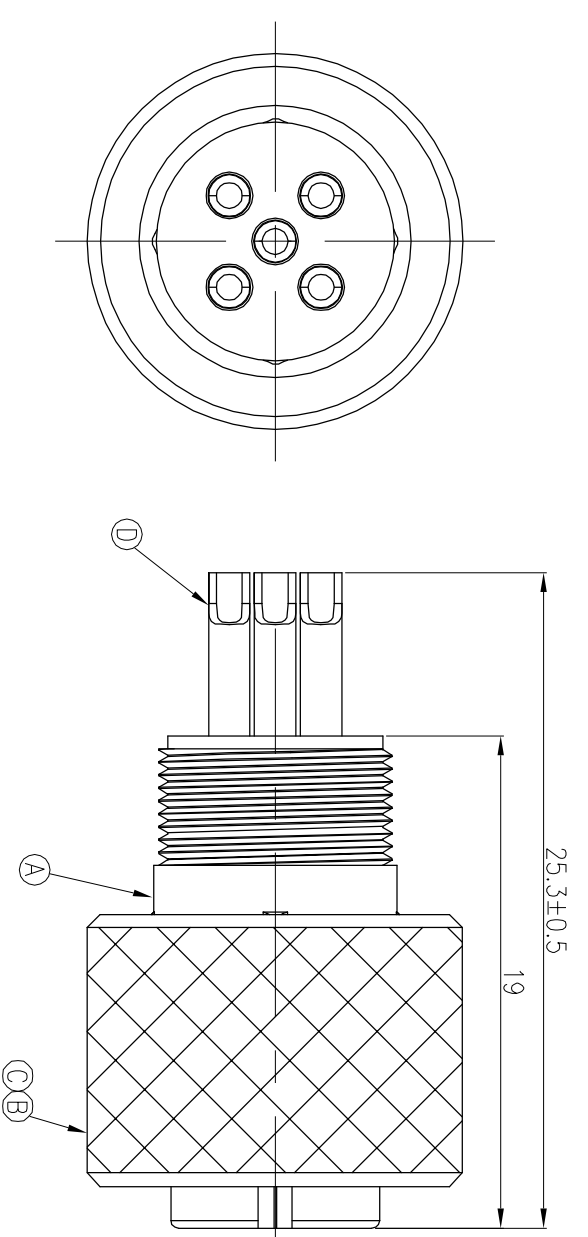




REV.	ECN NO.	OR DESCRIPTION	REVISED	DATE
A	PDR NO.:	T190802-1A	JF	2020.01.20



- NOTES:
1. WATERPROOF RATE: IP67(WHEN PROPERLY MATED)
  2. INSULATION RESISTANCE: 100M Ohm Min. BY 500 VDC
  3. TEMPERATURE RANGE: -40°C TO +105°C
  4. SPECIFICATIONS:SEE "M12 SERIES SPECIFICATIONS".
  5. TO CONFORM TO SINGATRON HAZARDOUS SUBSTANCE FREE SPEC.
  6. GREEN PRODUCT IDENTIFICATION LABEL ON PACKAGING: 

D	FEMALE PIN	5	Phosphor Bronze	1~3u" GOLD PLATING OVER NICKEL PLATING
C	O-RING	1	VITON	RED
B	SERCW NUT	1	BRASS	OVER NICKEL PLATING
A	BODY	1	TPU	BLACK
NO	DESCRIPTION	QTY	MATERIAL	PLATING & COLOR
UNLESS OTHERWISE SPECIFIED TOLERANCES				
 Singatron Enterprise Co., Ltd. 信譽企業股份有限公司				
DECIMALS: ANGLES:				
X	:±0.5	X	:±2°	
X.X	:±0.3	X.X	:±1°	
X.XX	:±0.2			
TITLE M12 SERIES FEMALE CONN.(5A)				
DWN	JF	PART NO.2MT3010-M053D0H		
CHKD	Cary	SCALE 4:1	UNIT: mm	
APVD	William	SIZE: A3	SHEET: 1 OF 1	REV: A

CUSTOMER COPY