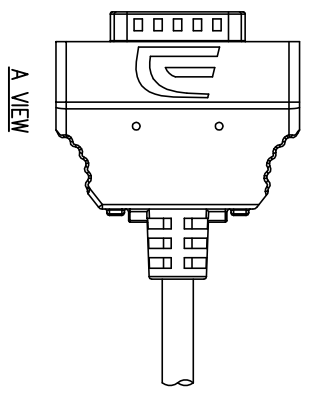
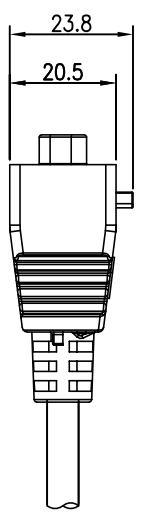
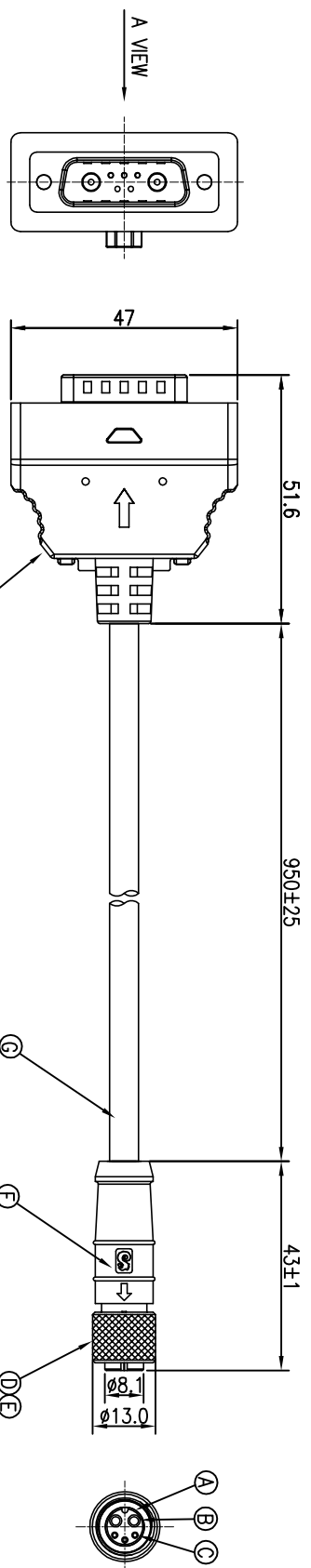
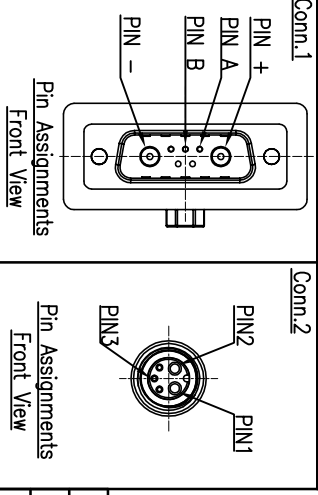


REV.	ECN NO.	OR DESCRIPTION	REVISED	DATE
A	PDR NO:T140509-2A	Lx-Wu	2014.09.09	



A	YELLOW(24AWG)	3
-	BLACK(16AWG)	2
+	RED(16AWG)	1
WIRE COLOR		Conn.1
PIN OUT		Conn.2



- NOTES:
1. CURRENT RATING: 10+2A
 2. TO CONFORM TO SINGATRON HAZARDOUS SUBSTANCE FREE SPEC.
 3. GREEN PRODUCT IDENTIFICATION LABEL ON PACKAGING:

Conn.1	WHITE(UL1430 26AWG)	B
Conn.1	WIRE COLOR	Conn.1
PIN OUT		

NO	DESCRIPTION	QTY	MATERIAL	PLATING & COLOR
A	BODY	1	TPU	BLACK
B	FEMALE PIN	2	COPPER ALLOY	1~3u" GOLD PLATING OVER NICKEL PLATING
C	FEMALE PIN	3	COPPER ALLOY	OVER NICKEL PLATING
D	SCREW NUT	1	COPPER ALLOY	NICKEL PLATING 100u"
E	O-RING	1	VITON	RED
F	OVER MOLD	1	TPU	BLACK
G	CABLE	1	UL2464 16AWG*2C+24AWG*1C+AL UV 0D6.0	BLACK (PVC JACKET)
H	OVER MOLD	1	PVC	BLACK
I	INNER MOLD	1	PVC	BLACK
J	D-SUB	1	2DS1601-000111H	N/A
K	WIRE	1	UL1430 26AWG	WHITE

UNLESS OTHERWISE SPECIFIED TOLERANCES	DECIMALS:	ANGLES:
	X :±0.5	X :±2°
	X.X :±0.3	X.X :±1°
	X.XX :±0.2	X.XX :±0.2

Singatron Enterprise Co., Ltd.
 信音企業股份有限公司
 TITLE: W12 SERIES F CONN. F PIN (2+3PIN)
 DWG: Lx-Wu PART NO.2MT3010-W05934H
 CHKD: Harden SCALE 1:1 UNIT: mm
 APVD: Steve SIZE: A3 SHEET: 1 OF 1 REV: A
CUSTOMER COPY