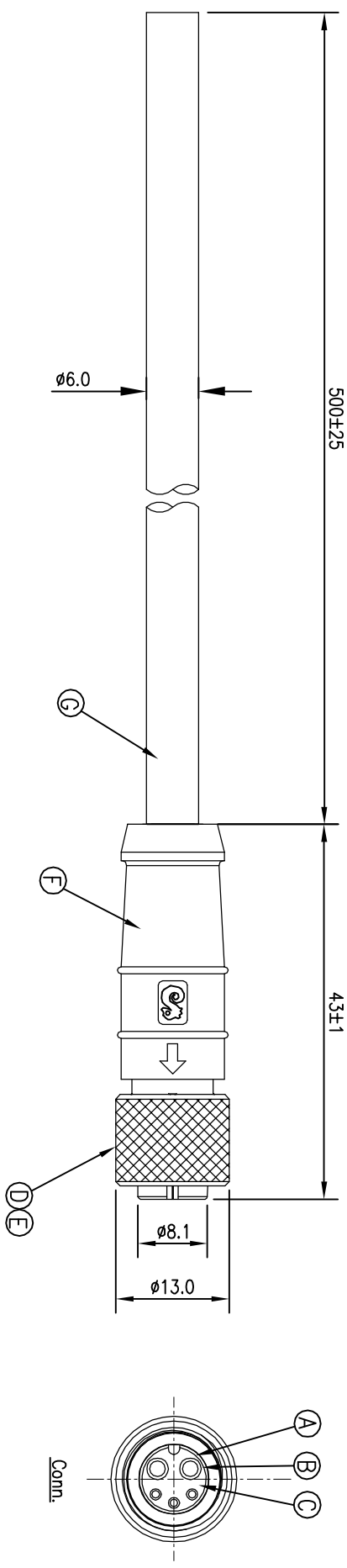
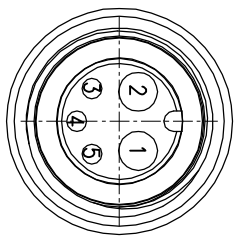


REV.	ECN NO.	OR DESCRIPTION	REVISED	DATE
A	PDR NO.:S140820-6A	Laurence	2014.08.18	



C	/	5
	YELLOW(24AWG)	4
	/	3
	BLACK(16AWG)	2
	RED(16AWG)	1
B	WIRE COLOR	Conn.
	PIN OUT	



- NOTES:
1. CURRENT RATING: 10+2A
  2. TO CONFORM TO SINGATRON HAZARDOUS SUBSTANCE FREE SPEC.
  3. GREEN PRODUCT IDENTIFICATION LABEL ON PACKAGING: **RoHS 2002**

G	CABLE	1	UL2464 16AWG*2C+24AWG*1C+AL UV 0D6.0	BLACK (PVC JACKET)
F	OVER MOLD	1	TPU	BLACK
E	O-RING	1	VITON	RED
D	SCREW NUT	1	COPPER ALLOY	NICKEL PLATING
C	FEMALE PIN	3	COPPER ALLOY	GOLD PLATING OVER NICKEL PLATING
B	FEMALE PIN	2	COPPER ALLOY	GOLD PLATING OVER NICKEL PLATING
A	BODY	1	TPU	BLACK
NO DESCRIPTION		QTY	MATERIAL	PLATING & COLOR
UNLESS OTHERWISE SPECIFIED TOLERANCES				
Singatron Enterprise Co., Ltd. 信亨企業股份有限公司				
TITLE: M12 SERIES F CONN. F PIN (2+3PIN)				
DWG: Laurence PART NO. 2MT3010-W05938H CHKD: Harlen SCALE 1:1 UNIT: mm APVD: Steve SIZE: A3 SHEET: 1 OF 1 REV: A				
CUSTOMER COPY				

Pin Assignments Front View