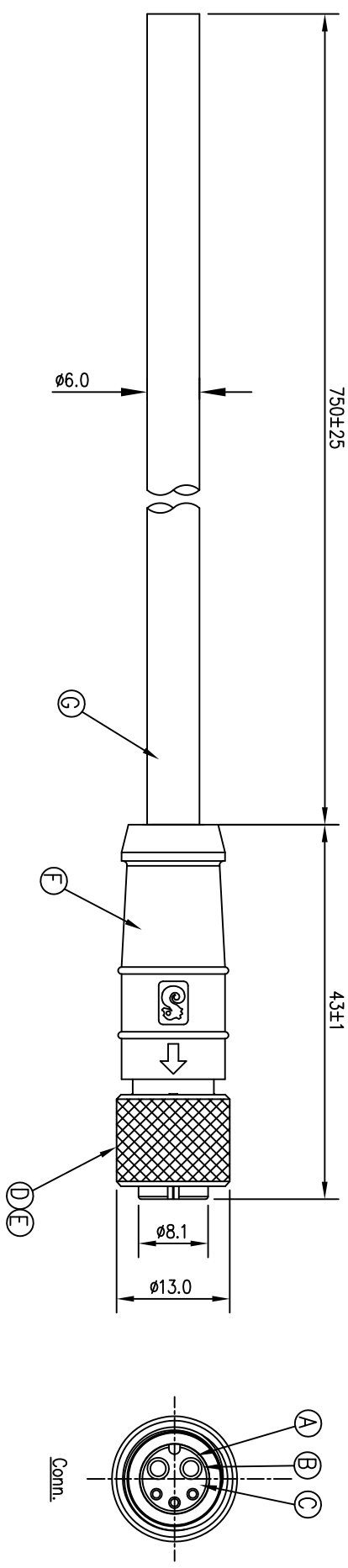
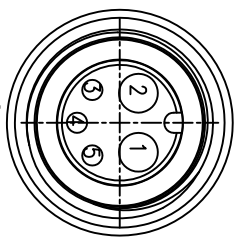


REV.	ECN NO OR DESCRIPTION	REVISED	DATE
A	PDR NO.:S141124-2A	YF	2014.11.12



C	/	5
	YELLOW(24AWG)	4
	/	3
	BLACK(16AWG)	2
	RED(16AWG)	1
B	WIRE COLOR	Conn.
	PIN OUT	



- NOTES:
1. CURRENT RATING: 10+2A
 2. TO CONFORM TO SINGATRON HAZARDOUS SUBSTANCE FREE SPEC.
 3. GREEN PRODUCT IDENTIFICATION LABEL ON PACKAGING:[G.P. PASS]

NO	DESCRIPTION	QTY	MATERIAL	PLATING & COLOR
G	CABLE	1	UL2464 16AWG*2C+24AWG*1C+AL UV OD6.0	BLACK (PVC JACKET)
F	OVER MOLD	1	TPU	BLACK
E	O-RING	1	WITON	RED
D	SCREW NUT	1	COPPER ALLOY	NICKEL PLATING
C	FEMALE PIN	3	COPPER ALLOY	GOLD PLATING OVER NICKEL PLATING
B	FEMALE PIN	2	COPPER ALLOY	GOLD PLATING OVER NICKEL PLATING
A	BODY	1	TPU	BLACK

UNLESS OTHERWISE SPECIFIED TOLERANCES

Singatron Enterprise Co., Ltd.
信亨企業股份有限公司

W12 SERIES F CONN. F PIN (2+3PIN)

DECIMALS:	ANGLES:
X :±0.5	X :±2°
XX :±0.3	XX :±1°
XXX :±0.2	

TITLE	W12 SERIES F CONN. F PIN (2+3PIN)
DWN	YF
CHKD	Harlen
APVD	Steve
PART NO.	2MT3010-W05941H
SCALE	1:1
UNIT	mm
SIZE	A3
SHEET	1 OF 1
REV.	A

CUSTOMER COPY