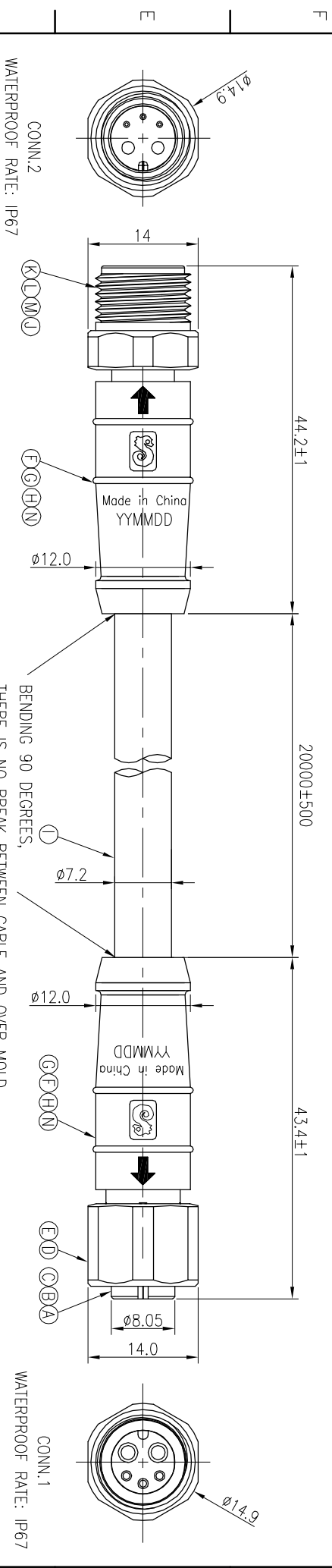


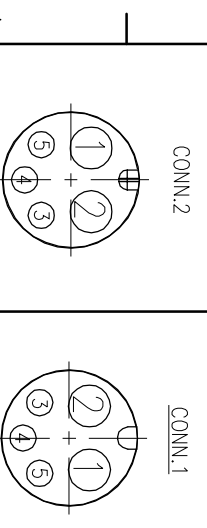
REV	ECN NO	OR DESCRIPTION	REVISED	DATE
A	PDR	NO.:A180426-2G	Wcky	2018.05.03



BENDING 90 DEGREES,
THERE IS NO BREAK BETWEEN CABLE AND OVER MOLD.

C	5	BLACK(24#)	5
	3	WHITE(24#)	3
	2	BLUE(17#)	2
	1	BROWN(17#)	1
B	CONN.2	WIRE COLOR	CONN.1
	PIN OUT		
	CONN.2		CONN.1

NOTES:
1. WATERPROOF RATE: IP66/IP67
2. ELECTRICAL CHARACTERISTICS
TEMPERATURE RANGE: -40° TO +105°
RATING: 60V AC/DC 10A(PIN1&PIN2) 5A(PIN3&PIN5).
TEST CONDITION: DC300V 10Mohm 10ms
3. SPECIFICATIONS:SEE "M12 SERIES SPECIFICATIONS".
4. TO CONFORM TO ROHS REQUIREMENT AND REACH REGULATION
5. GREEN PRODUCT IDENTIFICATION LABEL ON PACKAGING: **66.4488**
6. NON-HUMAN FACTORS CAUSE SERVICE LIFE IS 5 YEARS
7. TORQUE FORCE: 0.8~1.0N.m
8. SUS 316F OR SAME GRADE THAT CAN PASS 200H SALT SPRAY TEST
9. LASE DATE CODE "YYMMDD" ON TOP OF OVER MOLD



Pin Assignments
Front View

DATE CODE: YYMMDD
DAY MONTH YEAR

N	HEAT SHRINK TUBE	4	Ø3.0 300V	BLACK
M	MALE PIN	3	BRASS	1~3u" GOLD PLATING OVER NICKEL PLATING
L	MALE PIN	2	BRASS	1~3u" GOLD PLATING OVER NICKEL PLATING
K	BODY	1	PA66	BLACK
J	SCREW NUT	1	SEE"NOTE 8"	N/A
I	CABLE	1	UL21996 17#*2C+P+ 24#*1P(UV) 007.2 Sun Res Wet60°C Cable	BLACK (PVC JACKET)
H	HEAT SHRINK TUBE	4	Ø2.5 300V	BLACK
G	OVER MOLD	2	TPEE	BLACK
F	INNER MOLD	2	TPEE	NATURAL
E	O-RING	1	WITON	RED
D	SCREW NUT	1	SEE"NOTE 8"	N/A
C	FEMALE PIN	2	Phosphor Bronze	1~3u" GOLD PLATING OVER NICKEL PLATING
B	FEMALE PIN	3	Phosphor Bronze	1~3u" GOLD PLATING OVER NICKEL PLATING
A	BODY	2	PA66	BLACK
NO	DESCRIPTION	QTY	MATERIAL	PLATING & COLOR

UNLESS OTHERWISE SPECIFIED TOLERANCES

Singatron Enterprise Co., Ltd.
信安企业股份有限公司

TITLE M12 SERIES (IP67)
FEMALE CONN. FEMALE PIN 2+3 PIN(2+10A) 180°

DWN Wcky PART NO.2MT3010-W05949H
CHKD Jf SCALE 2:1 UNIT: mm
APVD William SIZE: A3 SHEET:1 OF 1 REV: A

CUSTOMER COPY