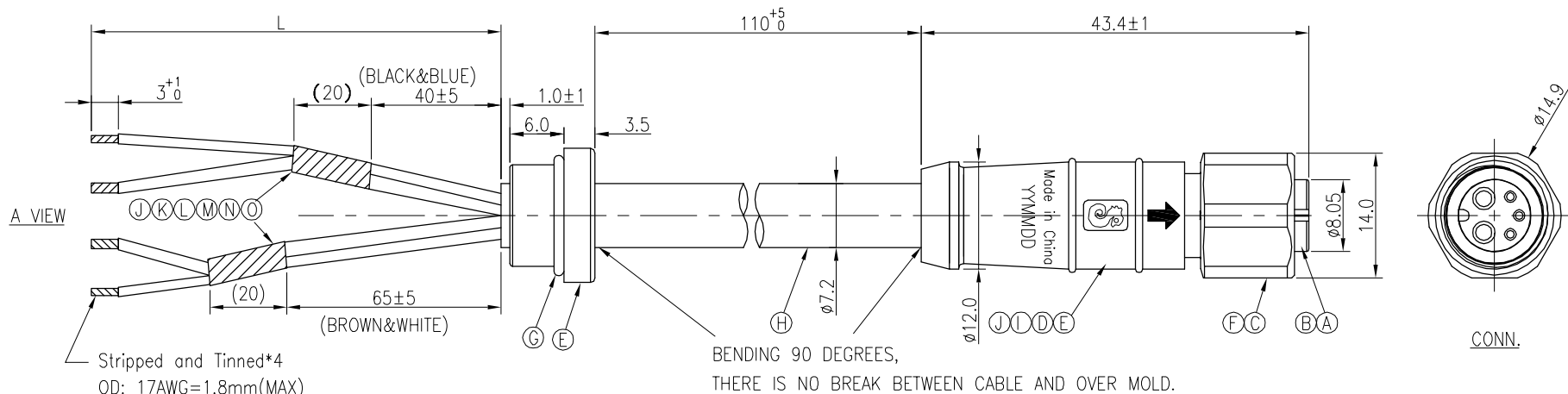
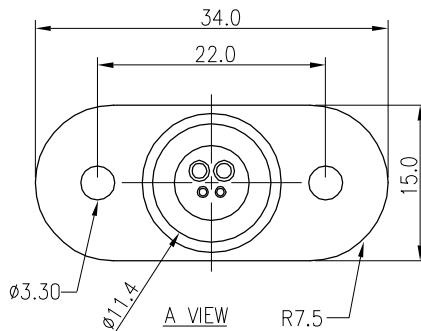


REV.	ECN NO OR DESCRIPTION	REVISED	DATE
A	PDR NO.:A180426-2C~2F	Vicky	2019.02.17



Stripped and Tinned*4
 OD: 17AWG=1.8mm(MAX)
 24AWG=1.0mm(MAX)

DMAT NO.	SINGATRON NO.	L
D30044836	2MT3010-W05945H	453+25/-0
D30044837	2MT3010-W05946H	753+45/-0
D30044838	2MT3010-W05947H	1053+55/-0
D30044839	2MT3010-W05948H	1353+75/-0

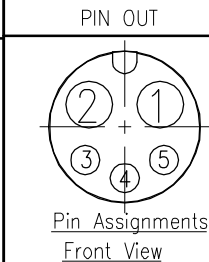


BLACK(24#)	5
WHITE(24#)	3
BLUE(17#)	2
BROWN(17#)	1
WIRE COLOR	CONN.

TWIST

- NOTES:
1. WATERPROOF RATE: IP66/IP67
 2. ELECTRICAL CHARACTERISTICS
 TEMPERATURE RANGE: -40° TO +105°
 RATING: 60V AC/DC 10A(PIN1&PIN2) 5A(PIN3&PIN5).
 TEST CONDITION: DC300V 10Mohm 10ms
 3. PULL FORCE TEST: 60N min.
 4. SPECIFICATIONS: SEE "M12 SERIES SPECIFICATIONS".
 5. TO CONFORM TO ROHS REQUIREMENT AND REACH REGULATION
 6. GREEN PRODUCT IDENTIFICATION LABEL ON PACKAGING: **G.P. PASS**
 7. NON-HUMAN FACTORS CAUSE SERVICE LIFE IS 5 YEARS
 8. TORQUE FORCE: 0.8~1.0N.m
 9. SUS 316F OR SAME GRADE THAT CAN PASS 200H SALT SPRAY TEST
 10. LASE DATE CODE "YYMMDD" ON TOP OF OVER MOLD DATE CODE: YYMMDD

DAY
 MONTH
 YEAR



NO	DESCRIPTION	QTY	MATERIAL	PLATING & COLOR
O	HEAR SHRINK TUBE	2	φ4.0 300V	BLACK
N	TERMINAL	4	BRASS	TIN PLATED
M	WIRE	2	UL 1430 24AWG	SEE PIN OUT
L	WIRE	2	NON 17AWG	SEE PIN OUT
K	HEAT SHRINK TUBE	2	φ5.0 300V	BLACK
J	HEAT SHRINK TUBE	4	φ2.5 300V	BLACK
I	HEAT SHRINK TUBE	2	φ3.0 300V	BLACK
H	CABLE	1	UL21996 17#*2C+P+ 24#*1P(UV) OD7.2 Sun Res Wet60°C Cable	BLACK (PVC JACKET)
G	O-RING	1	SILICONE	BLUE
F	O-RING	1	VITON	RED
E	OVER MOLD	2	TPEE	BLACK
D	INNER MOLD	1	TPEE	NATURAL
C	SCREW NUT	1	SEE"NOTE 9"	N/A
B	FEMALE PIN	5	Phosphor Bronze	1~3u" GOLD PLATING OVER NICKEL PLATING
A	BODY	1	PA66	BLACK

UNLESS OTHERWISE SPECIFIED TOLERANCES		Singatron Enterprise Co., Ltd. 信音企業股份有限公司		
DECIMALS:	ANGLES:	TITLE	FEMALE (2+3) PIN FEMALE CONN.	
X :±0.5	X :±2°	DWN	Vicky	PART NO.2MT3010-W0594XH
X.X :±0.3	X.X :±1°	CHKD	JF	SCALE 2:1 UNIT: mm
X.XX :±0.2		APVD	William	SIZE: A3 SHEET: 1 OF 1 REV: A
CUSTOMER COPY				