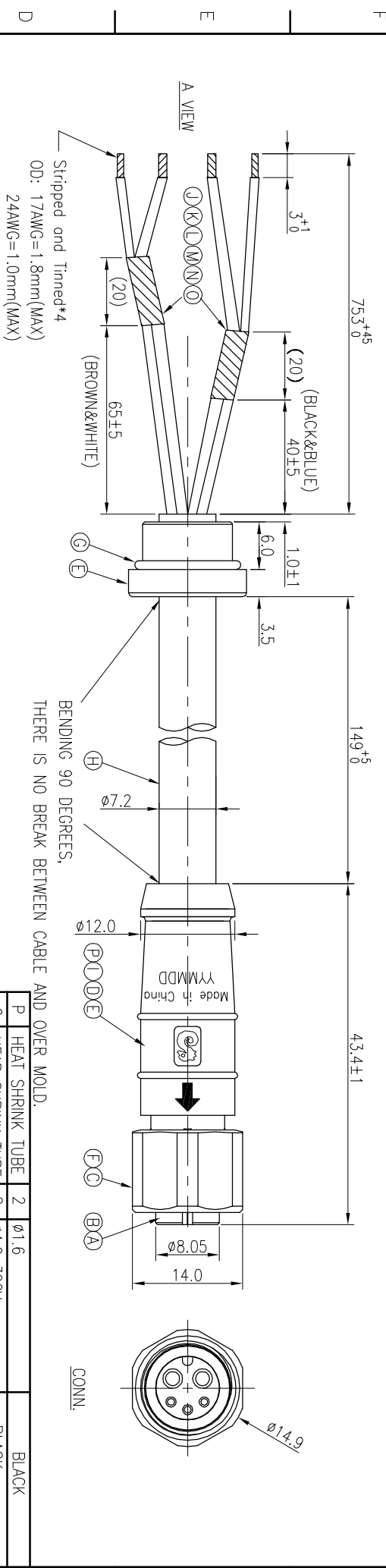


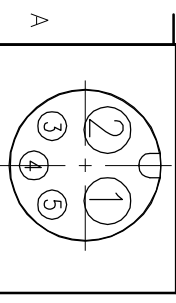
REV.	ECN NO.	OR DESCRIPTION	REVISED	DATE
A	PDR NO.:	A190730-2B	Vcky	2019.07.31



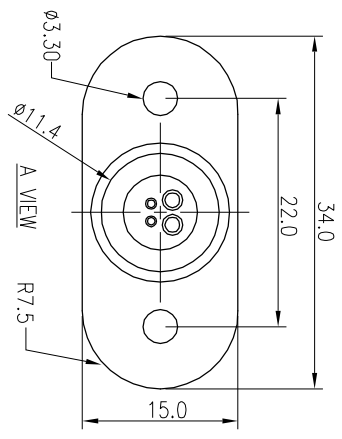
DMAT NO.	SINGATRON NO.
D30057608	ZMT3010-W05958H

BLACK(24#)	5
WHITE(24#)	3
BLUE(17#)	2
BROWN(17#)	1
WIRE COLOR	CONN.

PIN OUT	
---------	--



- NOTES:
1. WATERPROOF RATE: IP66/IP67
 2. ELECTRICAL CHARACTERISTICS TEMPERATURE RANGE: -40° TO +105°
 3. PULL FORCE TEST: 60N min.
 4. SPECIFICATIONS: SEE "M12 SERIES SPECIFICATIONS".
 5. TO CONFORM TO ROHS REQUIREMENT AND REACH REGULATION
 6. GREEN PRODUCT IDENTIFICATION LABEL ON PACKAGING:
 7. NON-HUMAN FACTORS CAUSE SERVICE LIFE IS 5 YEARS
 8. TORQUE FORCE: 0.8~1.0N.m
 9. SUS 316F OR SAME GRADE THAT CAN PASS 200H SALT SPRAY TEST
 10. LASE DATE CODE "YYMMDD" ON TOP OF OVER MOLD DATE CODE: YYMMDD



- TEST CONDITION: DC300V 10Mohm 10ms
- RATING: 60V AC/DC 10A(PIN1&PIN2) 5A(PIN3&PINS).

P	HEAT SHRINK TUBE	2	Ø1.6	BLACK
O	HEAR SHRINK TUBE	2	Ø4.0 300V	BLACK
N	TERMINAL	4	BRASS	TIN PLATED
M	WIRE	2	UL 1430 24AWG	SEE PIN OUT
L	WIRE	2	UL 1015 17AWG	SEE PIN OUT
K	HEAT SHRINK TUBE	2	Ø5.0 300V	BLACK
J	HEAT SHRINK TUBE	2	Ø2.5 300V	BLACK
I	HEAT SHRINK TUBE	2	Ø2.4	BLACK
H	CABLE	1	UL21996 17#2C+P+ 24#*1P(UV) OD7.2 Sun Res Wet60°C Cable	BLACK (PVC JACKET)
G	O-RING	1	SILICONE	BLUE
F	O-RING	1	VITON	RED
E	OVER MOLD	2	TPPE	BLACK
D	INNER MOLD	1	TPPE	NATURAL
C	SCREW NUT	1	SEE NOTE 9"	N/A
B	FEMALE PIN	5	Phosphor Bronze	1~3u" GOLD PLATING OVER NICKEL PLATING
A	BODY	1	PA66	BLACK

UNLESS OTHERWISE SPECIFIED TOLERANCES		SINGATRON ENTERPRISE CO., LTD.	
DECIMALS:		信晉企業股份有限公司	
X	:±0.5	X	:±2'
X.X	:±0.3	X.X	:±1'
X.XX	:±0.2	TITLE FEMALE (2+3) PIN FEMALE CONN.	
TITLE		PART NO. ZMT3010-W05958H	
DMW	Vcky	SCALE	2:1
CHKD	JF	UNIT:	mm
APVD	William	SIZE:	A3
CUSTOMER COPY		SHEET:	1 OF 1
CUSTOMER COPY		REV:	A