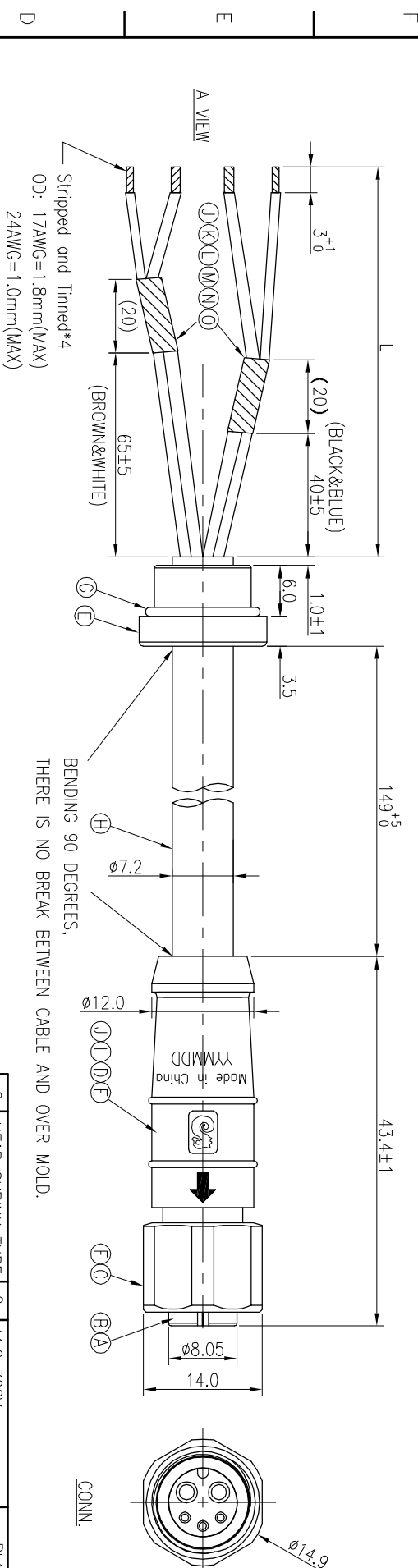
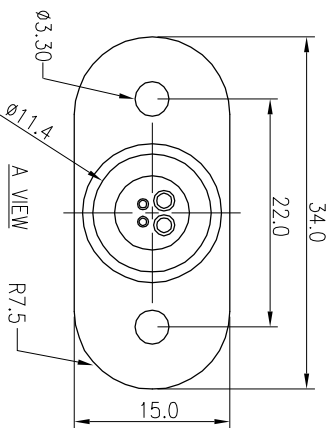


REV.	ECN NO.	OR DESCRIPTION	REVISED	DATE
A	PDR NO.:A190807-1A		MF	2019.11.30

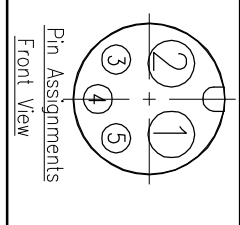


DMAT NO.	SINGATRON NO.	L
D30058569	ZMT3010-W05960H	1353+75/-0



BLACK(24#)	5
WHITE(24#)	3
BLUE(17#)	2
BROWN(17#)	1
WIRE COLOR	CONN.
PIN OUT	

- NOTES:
1. WATERPROOF RATE: IP66/IP67
 2. ELECTRICAL CHARACTERISTICS TEMPERATURE RANGE: -40° TO +105°
RATING: 60V AC/DC 10A(PIN1&PIN2) 5A(PIN3&PIN5).
 3. PULL FORCE TEST: 60N min.
 4. SPECIFICATIONS: SEE "M12 SERIES SPECIFICATIONS".
 5. TO CONFORM TO ROHS REQUIREMENT AND REACH REGULATION
 6. GREEN PRODUCT IDENTIFICATION LABEL ON PACKAGING: **GR-PA66**
 7. NON-HUMAN FACTORS CAUSE SERVICE LIFE IS 5 YEARS
 8. TORQUE FORCE: 0.8~1.0N.m
 9. SUS 316F OR SAME GRADE THAT CAN PASS 200H SALT SPRAY TEST
 10. LATE DATE CODE "YYMMDD" ON TOP OF OVER MOLD DATE CODE: YYMMDD



O	HEAR SHRINK TUBE	2	Ø4.0 300V	BLACK
N	TERMINAL	4	BRASS	TIN PLATED
M	WIRE	2	UL 1430 24AWG	SEE PIN OUT
L	WIRE	2	NON 17AWG	SEE PIN OUT
K	HEAT SHRINK TUBE	2	Ø5.0 300V	BLACK
J	HEAT SHRINK TUBE	4	Ø2.5 300V	BLACK
I	HEAT SHRINK TUBE	2	Ø3.0 300V	BLACK
H	CABLE	1	UL21996 17#*2C+P+ 24#*1P(VV) 0D7.2 Sun Res Wet60°C Cable	BLACK (PVC JACKET)
G	O-RING	1	SILICONE	BLUE
F	O-RING	1	VITON	RED
E	OVER MOLD	2	TPEE	BLACK
D	INNER MOLD	1	TPEE	NATURAL
C	SCREW NUT	1	SEE "NOTE 9"	N/A
B	FEMALE PIN	5	Phosphor Bronze	1~3u" GOLD PLATING OVER NICKEL PLATING
A	BODY	1	PA66	BLACK

Singatron Enterprise Co., Ltd.
信登企業股份有限公司

TITLE	FEMALE (2+3) PIN FEMALE CONN.
DWN	MF
CHKD	Cerry
APVD	William
PART NO.	ZMT3010-W05960H
SCALE	2:1
SIZE	A3
SHEET	1 OF 1
REV	A