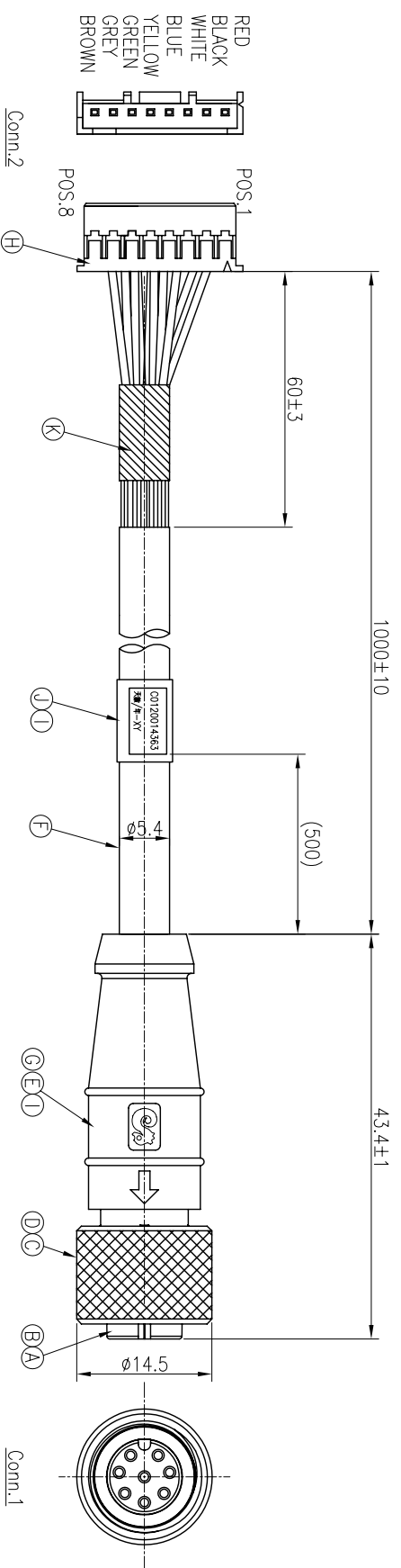


REV.	ECN NO.	OR DESCRIPTION	REVISED	DATE
A	PDR NO.S11123-6A	Horlen	2012.2.8	



WATERPROOF RATE: IP67

- NOTES:
1. WATERPROOF RATE: IP67
 2. CURRENT RATING: 2A
 3. SPECIFICATIONS:SEE "M12 SERIES SPECIFICATIONS".
 4. TO CONFORM TO THE SINGATRON HAZARDOUS SUBSTANCE FREE SPEC.
 5. GREEN PRODUCT IDENTIFICATION LABEL ON PACKAGING:**Gr Pass**

<p>Pin Assignments Front View</p>	<p>Pin Assignments Front View</p>	1	RED	8
		4	BLUE	7
		3	WHITE	6
		7	GREY	5
		5	YELLOW	4
		6	GREEN	3
		8	BROWN	2
		2	BLACK	1
CONN. 2		WIRE COLOR	CONN. 1	
PIN OUT				

K	TUBE	1	φ4.0 (125°.300V):.30mm	BLACK
J	LABEL	1	W10*1.20	WHITE
I	TUBE	1	6.0φ (125°.300V)	TRANSPARENT
H	CONNECTOR	8	Phosphor Bronze	TIN
G	TUBE	8	2.0φ (125°.300V)	WHITE
F	CABLE	1	UL2464 24#*8C+AL (UV) OD5.4	BLACK(PVC JACKET)
E	OVER MOLD	1	TPU	BLACK
D	O-RING	1	VITON	RED
C	SCREW NUT	1	BRASS	BLACK NICKEL PLATING
B	FEMALE PIN	8	Phosphor Bronze	6u" GOLD PLATING OVER NICKEL PLATING
A	BODY	1	TPU	BLACK
NO	DESCRIPTION	QTY	MATERIAL	PLATING & COLOR
UNLESS OTHERWISE SPECIFIED TOLERANCES				
DECIMALS:		ANGLES:		
X	:±0.5	X	:±2°	
X.X	:±0.3	X.X	:±1°	
X.XX	:±0.2			
<p>Singatron Enterprise Co., Ltd. 信登企業股份有限公司</p>				
TITLE M12 SERIES (IP67) FEMALE CONN. FEMALE PIN 8 PIN(24) 180°				
DWN	Horlen	PART NO.2MT3010-W08223H		
CHKD	STEVE	SCALE 2:1	UNIT: mm	
APVD	Tony	SIZE: A3	SHEET: 1 OF 1	REV: A
CUSTOMER COPY				