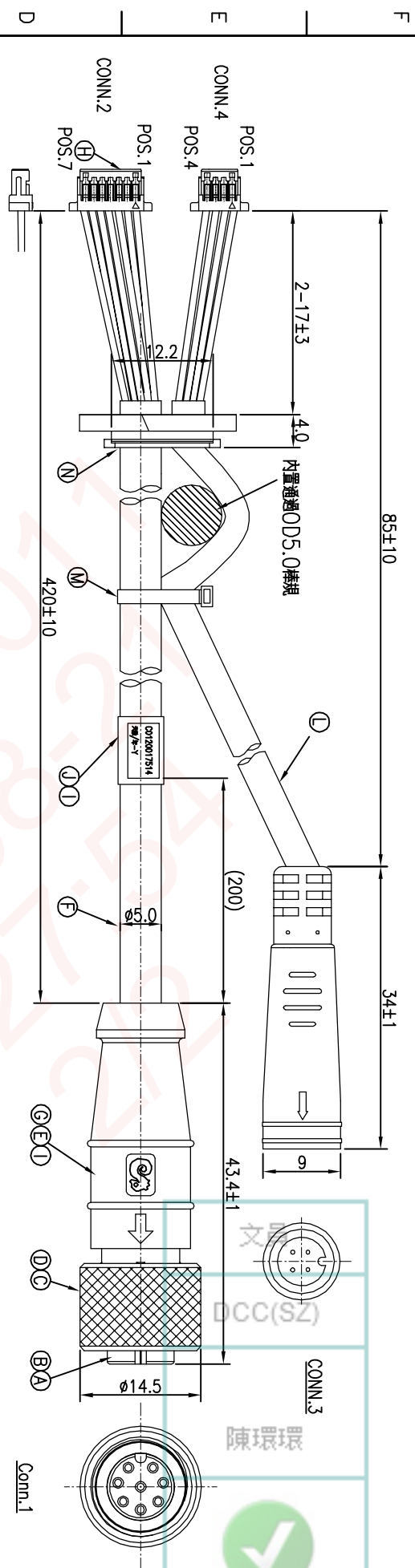
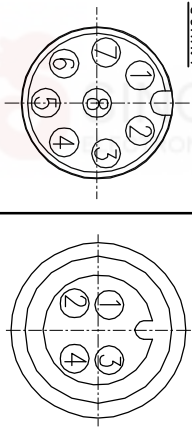
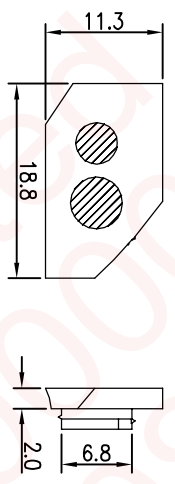


REV	ECN NO	OR DESCRIPTION	REVISED	DATE
A	PDR	No.S130603-5A	Harlen	2015.8.11



WATERPROOF RATE: IP67

7	BROWN	7	BROWN	CONN.1	CONN.4	CONN.3
6	ORANGE	6	PURPLE	CONN.1	CONN.4	CONN.3
3	BLACK	5	BLACK	CONN.1	CONN.4	CONN.3
4	GREEN	4	BLACK	CONN.1	CONN.4	CONN.3
5	BLUE	3	BROWN	CONN.1	CONN.4	CONN.3
2	YELLOW	2	BROWN	CONN.1	CONN.4	CONN.3
1	RED	1	RED	CONN.1	CONN.4	CONN.3



NOTES:

1. WATERPROOF RATE: IP67
2. CURRENT RATING: 2A
3. SPECIFICATIONS:SEE "M12 SERIES SPECIFICATIONS".
4. TO CONFORM TO THE SINGATRON HAZARDOUS SUBSTANCE FREE SPEC.
5. GREEN PRODUCT IDENTIFICATION LABEL ON PACKAGING:

N	OVER MOLD	1	HYTREL	BLACK
M	CABLE TIE	1	NYLON	BLACK
L	CABLE	1	4P CONNECTOR WITH WIRE	BLACK
K	TUBE	1	φ4.0 (125; 300V)L:30mm	BLACK
J	LABEL	1	W0*120	WHITE
I	TUBE	1	6.0φ (125; 300V)	TRANSPARENT
H	CONNECTOR	11	Phosphor Bronze	AU
G	TUBE	2	NYLON	WHITE
F	CABLE	8	2.0φ (125; 300V)	BLACK
E	OVER MOLD	1	UL2464 26#*7C+AL	BLACK(PVC JACKET)
D	O-RING	1	TPU	BLACK
C	SCREW NUT	1	VITON	RED
B	FEMALE PIN	8	Phosphor Bronze	BLACK NICKEL PLATING
A	BODY	1	TPU	6u" GOLD PLATING OVER NICKEL PLATING
NO	DESCRIPTION	QTY	MATERIAL	PLATING & COLOR

UNLESS OTHERWISE SPECIFIED TOLERANCES

Singatron Enterprise Co., Ltd.  
信登企業股份有限公司

DECIMALS:	ANGLES:	TITLE
X :±0.5	X :±2'	M12 SERIES (IP67)
X.X :±0.3	X.X :±1'	FEMALE CONN. FEMALE PIN 8 PIN(2A) 180°
X.XX :±0.2		DWN Harlen
		CHKD JF
		APVD STEVE

PART NO. 2MT3010-W08232H  
SCALE 2:1 UNIT: mm  
SHEET: 1 OF 1 REV: A  
CUSTOMER COPY