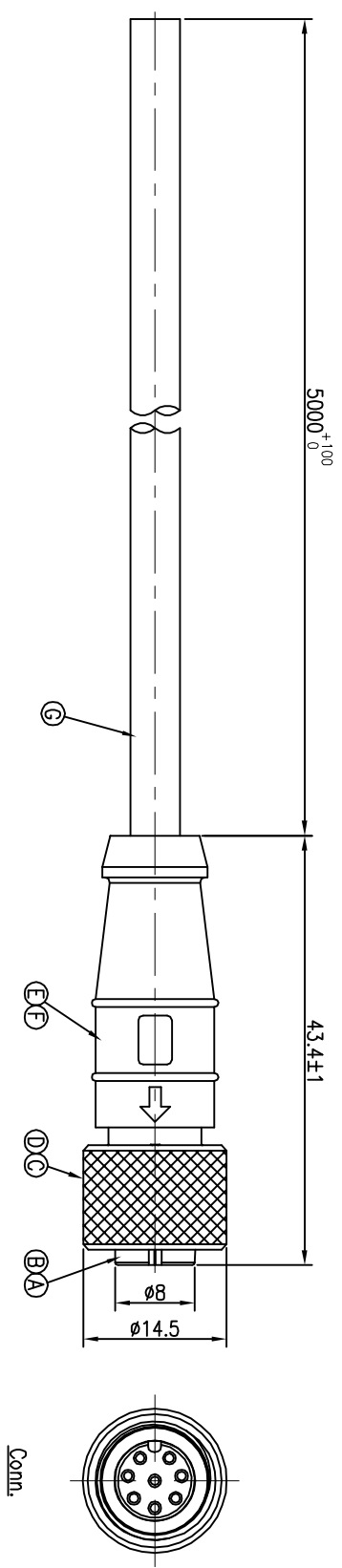
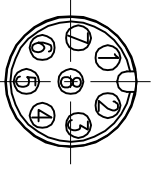


REV.	ECN NO.	OR DESCRIPTION	REVISED	DATE
A	PDR NO.:S170214-3A		Vicky	2017.02.14



RED	8
BLUE	7
WHITE	6
GREY	5
YELLOW	4
GREEN	3
BROWN	2
BLACK	1
WIRE COLOR	CONN.
PIN OUT	
CONN.	



Pin Assignments
Front View

NOTES:
1 ELECTRICAL CHARACTERISTICS:

- 1-1 CURRENT RATING: 5 AMPS.
- 1-2 CONTACT RESISTANCE: 3 Ohm Max.
- 1-3 INSULATION RESISTANCE: 100 Mohm Min. at 500VDC.
- 1-4 BREAKDOWN VOLTAGE: 500 VAC PER MINUTE.

- 2. ENVIRONMENTAL:
- 2-1 OPERATING TEMPERATURE: -20°C TO +80°C.
- 2-2 SEALING REQUIREMENTS: IP67.
- 3. LIFE TEST: 1,000 CYCLES MIN.

- 4. OTHER GENERAL SPEC. TO REFER "M12 SERIES SPEC."
- 5. FOR TECHNICAL DATA REFER TO YOUR LOCAL SINGATRON ELECTRONICS SALES OFFICE.
- 6. ALL DIMENSIONS ARE NOMINAL FOR REFERENCE ONLY UNLESS OTHERWISE STATED.
- 7. TO CONFORM TO SINGATRON HAZARDOUS SUBSTANCE FREE SPEC.
- 8. GREEN PRODUCT IDENTIFICATION LABEL ON PACKAGING:

NO	DESCRIPTION	QTY	MATERIAL	PLATING & COLOR
A	BODY	1	TPU	BLACK
B	FEMALE PIN	8	Phosphor Bronze	(1~3)µ" GOLD PLATING OVER NICKEL PLATING
C	SCREW NUT	1	BRASS	NICKEL PLATING 100µ"
D	O-RING	1	VITON	RED
E	OVER MOLD	1	TPU	BLACK
F	INNER MOLD	1	TPU	NATURAL
G	CABLE	1	UL2464 24AWG*8C+A, PVC Jacket, UV Resistant OD=φ5.4,	BLACK

DECIMALS:	ANGLES:
X :±0.5	X :±2°
X.X :±0.3	X.X :±1'
X.XX :±0.2	

TITLE	MATERIAL	PLATING & COLOR
M12 SERIES 1807(8)P/M FEMALE CONN		

Singatron Enterprise Co., Ltd.
信譽企業股份有限公司

CHKD	SCALE	UNIT	REV
Harlen	2:1	mm	A

APVD Steve SIZE: A3 SHEET: 1 OF 1 REV: A

CUSTOMER COPY