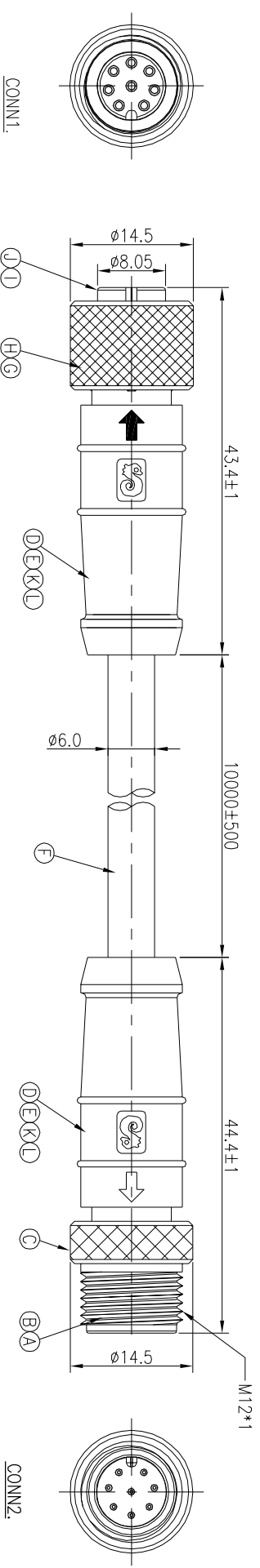
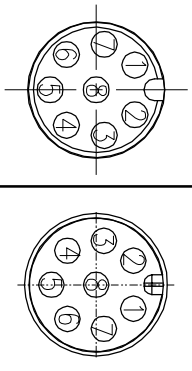


REV.	ECN NO OR DESCRIPTION	REVISED	DATE
A	PDR NO.:S170711-1A	Vicky	2017.07.10



8	BLUE	8
7	GRAY	7
6	ORANGE	6
5	BROWN	5
4	RED	4
3	BLACK+COAX SHIELD	3
2	COAX	2
1	YELLOW	1
CONN1. CABLE WIRE COLOR		CONN2.
PIN OUT		
CONN1.		CONN2.



Pin Assignments
Front View

- NOTES:
1. WATERPROOF RATE: IP67
 2. CURRENT RATING: 60V 2A
 3. SPECIFICATIONS:SEE "M12 SERIES SPECIFICATIONS".
 4. TO CONFORM TO THE SINGATRON HAZARDOUS SUBSTANCE FREE SPEC.
 5. GREEN PRODUCT IDENTIFICATION LABEL ON PACKAGING:

L	HEAT SHRINK TUBE	10	Ø1.5 300V,L=8mm	BLACK
K	HEAT SHRINK TUBE	6	Ø2.0 300V,L=8mm	BLACK
J	FEMALE PIN	8	Phosphor Bronze	1~3u" GOLD PLATING OVER NICKEL PLATING
I	FEMALE BODY	1	TPU	BLACK
H	O-RING	1	VITON	RED
G	SCREW NUT	1	BRASS	NICKEL PLATING 100u"
F	CABLE(线#)	1	(24#*1(COA+S)+26# *5C+20#*2C OD6.3	BLACK(PVC JACKET)
E	INNER MOLD	2	TPU	NATURAL
D	OVER MOLD	2	TPU	BLACK
C	SCREW NUT	1	BRASS	NICKEL PLATING 100u"
B	MALE PIN	8	BRASS	6u" GOLD PLATING OVER NICKEL PLATING
A	MALE BODY	1	TPU	BLACK
NO	DESCRIPTION	QTY	MATERIAL	PLATING & COLOR

UNLESS OTHERWISE SPECIFIED TOLERANCES

DECIMALS:	ANGLES:
X :±0.5	X :±2°
X.X :±0.3	X.X :±1°
X.XX :±0.2	

Singatron Enterprise Co., Ltd. 信營企業股份有限公司	
TITLE	M12 SERIES 180° 8 PIN FEMALE CONN.
DWN	Vicky
CHKD	JF
APVD	Steve
PART NO.	2MT3010-W08258H
SCALE	2:1
UNIT	mm
SHEET	1 OF 1
REV	A

CUSTOMER COPY