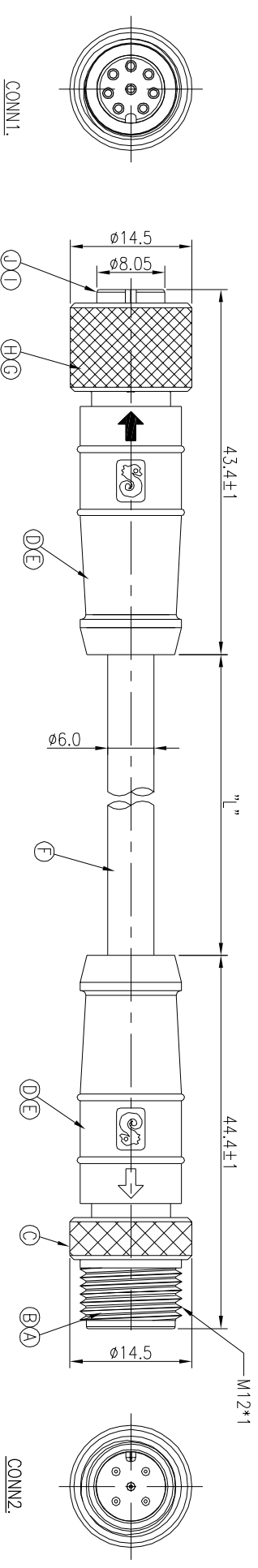


| REV. | ECN NO OR DESCRIPTION | REVISED | DATE |
|------|-----------------------|---------|------------|
| A | PDR NO.:S170216-7A~7D | JF | 2017.04.09 |

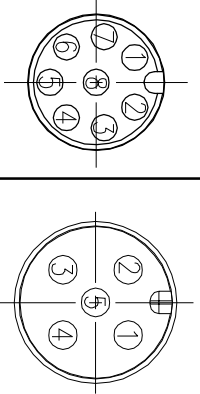


WATERPROOF RATE: IP67

WATERPROOF RATE: IP67

| SINGATRON P/N | "L"mm |
|-----------------|-----------|
| ZMT3010-W08254H | 5000±250 |
| ZMT3010-W08255H | 10000±500 |
| ZMT3010-W08256H | 15000±500 |
| ZMT3010-W08257H | 20000±500 |

| | | |
|---------|------------------|--------|
| 6 | ORANGE(26AWG) | 5 |
| 4 | RED(20AWG) | 4 |
| 3 | BRAID | 1 |
| 2 | COAX CORE(24AWG) | 2 |
| 1 | YELLOW(26AWG) | 3 |
| CONN1. | CABLE WIRE COLOR | CONN2. |
| PIN OUT | | |



NOTES:

1. WATERPROOF RATE: IP67
2. CURRENT RATING: 60V 2A
3. SPECIFICATIONS:SEE "M12 SERIES SPECIFICATIONS".
4. TO CONFORM TO THE SINGATRON HAZARDOUS SUBSTANCE FREE SPEC.
5. GREEN PRODUCT IDENTIFICATION LABEL ON PACKAGING:

| | | | | |
|---|-------------|---|---------------------------------------|--|
| J | FEMALE PIN | 8 | Phosphor Bronze | 1~3u" GOLD PLATING OVER NICKEL PLATING |
| I | FEMALE BODY | 1 | TPU | BLACK |
| H | O-RING | 1 | VITON | RED |
| G | SCREW NUT | 1 | BRASS | NICKEL PLATING 100u" |
| F | CABLE(线#) | 1 | 1COAX(24#*1C+S)+20#*2C+26#*3C+B OD6.0 | BLACK(PVC JACKET) |
| E | INNER MOLD | 2 | TPU | NATURAL |
| D | OVER MOLD | 2 | TPU | BLACK |
| C | SCREW NUT | 1 | BRASS | NICKEL PLATING 100u" |
| B | MALE PIN | 5 | BRASS | 6u" GOLD PLATING OVER NICKEL PLATING |
| A | MALE BODY | 1 | TPU | BLACK |

| | |
|---------------------------------------|---------|
| UNLESS OTHERWISE SPECIFIED TOLERANCES | |
| DECIMALS: | ANGLES: |
| X :±0.5 | X :±2° |
| XX :±0.3 | XX :±1° |
| X:XX :±0.2 | |

| | |
|---|------------------------------------|
| Singatron Enterprise Co., Ltd. 信亨企業股份有限公司 | |
| TITLE | M12 SERIES 180° 8 PIN FEMALE CONN. |
| DMN | JF |
| CHKD | Yang |
| APVD | Horlen |
| PART NO. ZMT3010-W0825XH SCALE 2:1 UNIT: mm SHEET: 1 OF 1 REV: A CUSTOMER COPY | |