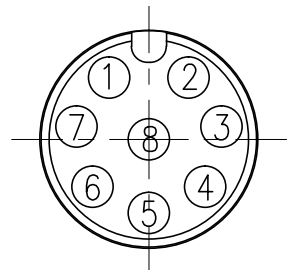
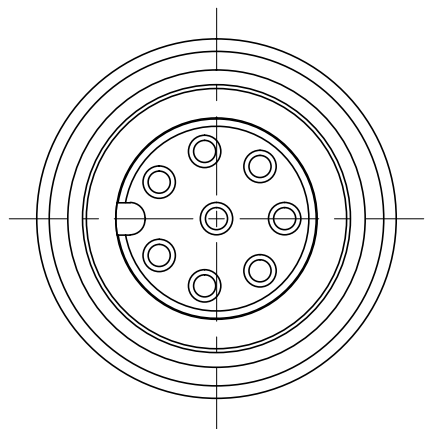
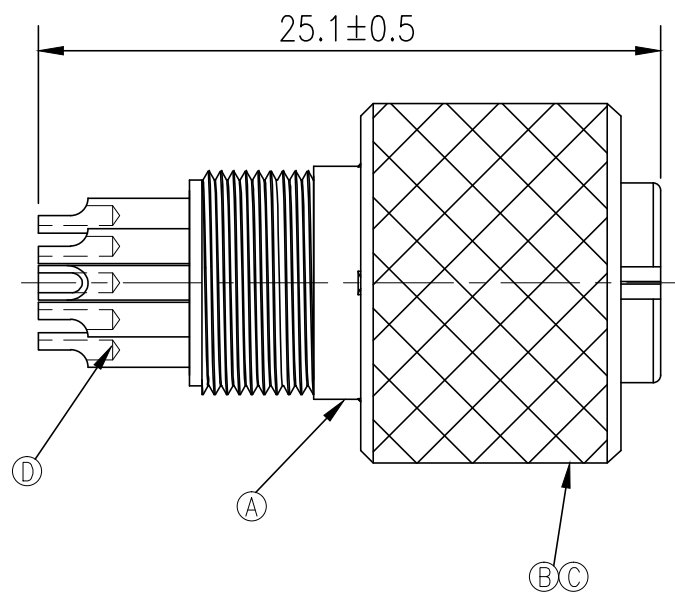


REV.	ECN NO OR DESCRIPTION	REVISED	DATE
A	PDR NO.:T191004-3A	JTT	2019.12.26



Pin Assignments  
Front View

- NOTES:
1. WATERPROOF RATE: IP67(WHEN PROPERLY MATED)
  2. INSULATION RESISTANCE: 100M Ohm Min. BY 500 VDC
  3. TEMPERATURE RANGE: -40°C TO +105°C
  4. SPECIFICATIONS:SEE "M12 SERIES SPECIFICATIONS".
  5. TO CONFORM TO SINGATRON HAZARDOUS SUBSTANCE FREE SPEC.
  6. GREEN PRODUCT IDENTIFICATION LABEL ON PACKAGING: **G.P. PASS**

D	FEMALE PIN	8	Phosphor Bronze	GOLD PLATING OVER NICKEL PLATING
C	O-RING	1	VITON	RED
B	SERCW NUT	1	BRASS	OVER NICKEL PLATING
A	BODY	1	TPU	BLACK
NO	DESCRIPTION	QTY	MATERIAL	PLATING & COLOR
UNLESS OTHERWISE SPECIFIED TOLERANCES		Singatron Enterprise Co., Ltd. 信音企業股份有限公司		
DECIMALS:		TITLE		
X	:±0.5	M12 SERIES FEMALE CONN.(2A)		
X.X	:±0.3	DWN	JTT	PART NO.2MT3010-W082D1H
X.XX	:±0.2	CHKD	Cerry	SCALE 4:1 UNIT: mm
		APVD	William	SIZE: A3 SHEET:1 OF 1 REV: A
<b>CUSTOMER COPY</b>				