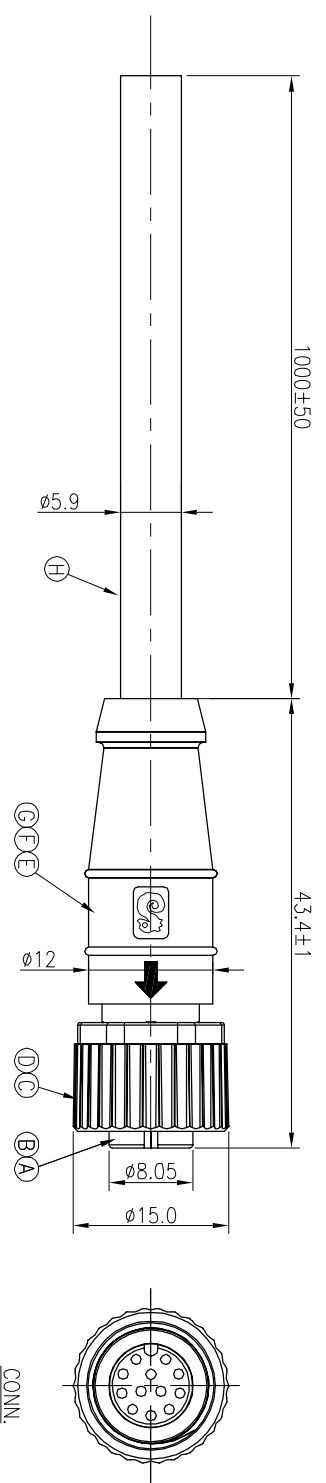
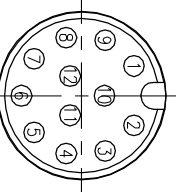


REV.	ECN NO.	OR DESCRIPTION	REVISED	DATE
A	PDR NO.:T190627-2C		MF	2019.11.30
B	ECN NO.:S202006-R05		MF	2020.08.19



D	WIRE COLOR	CONN.
	LIGHT GREEN	12
	PURPLE	11
	ORANGE	10
	BLACK	9
	RED	8
	PINK	7
	GREY	6
	YELLOW	5
	GREEN	4
	WHITE	3
	BLUE	2
	BROWN	1
	WIRE COLOR	CONN.
	PIN OUT	



- NOTES:
1. WATERPROOF RATE: IP67
IP67: IMMERSED IN 1M WATER FOR 30 MINUTES
 2. RATING:DC 30V
 3. SPECIFICATIONS:SEE "M12 SERIES SPECIFICATIONS".
 4. TO CONFORM TO SINGATRON HAZARDOUS SUBSTANCE FREE SPEC.
 5. GREEN PRODUCT IDENTIFICATION LABEL ON PACKAGING:

A	NO	DESCRIPTION	QTY	MATERIAL	PLATING & COLOR
H	1	CABLE	1	PVC UL2464 26AWG*12C+AL	BLACK
G	12	HEAT SHRINK TUBE	12	125°C 300V	BLACK
F	1	INEER MOLD	1	TPU	BLACK
E	1	OVER MOLD	1	TPU	BLACK
D	1	O-RING	1	VITON	RED
C	1	SCREW NUT	1	PA66	BLACK
B	12	FEMALE PIN	12	PHOSPHOR BRONZE	SEE TABLE
A	1	BODY	1	TPU	BLACK

UNLESS OTHERWISE SPECIFIED TOLERANCES

DECIMALS:	ANGLES:
X :±0.5	X :±2°
X.X :±0.3	X.X :±1°
X.XX :±0.2	

Singatron Enterprise Co., Ltd.
信登企業股份有限公司

TITLE M12 SERIES 180° 12PIN FEMALE CONN

DWN	MF	PART NO.	SCALE	UNIT	REV.
CERRY		M12205H	2:1	mm	B
APVD	William	SIZE: A3		SHEET: 1 OF 1	

CUSTOMER COPY