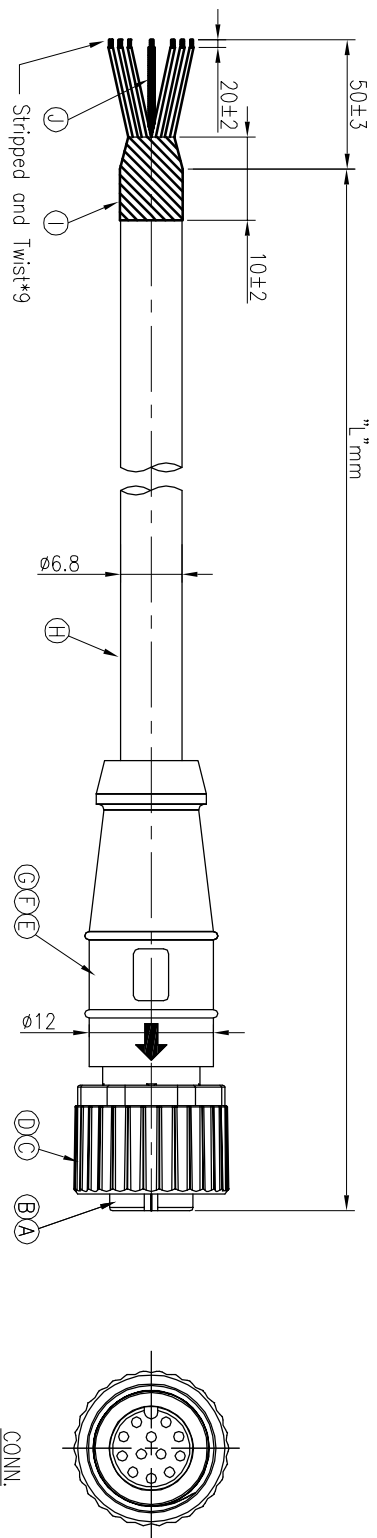


REV.	ECN NO. OR DESCRIPTION	REVISED	DATE
A	PDR NO:12002006-2A~2D	JAY	2020.12.24

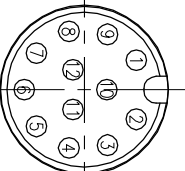


REV.	DELTA PART NO	PART NO	"L" mm
00	3081909800	ZMT3010-W12223H	L=2500±50
00	3081909900	ZMT3010-W12224H	L=3500±50
00	3081910000	ZMT3010-W12225H	L=5000±50
00	3081910100	ZMT3010-W12226H	L=10000±100

NOTES:

1. WATERPROOF RATE: IP67
IP67: IMMERSED IN 1M WATER FOR 30 MINUTES
2. RATING:DC 30V
3. The substances must meet RoHS & Delta standard 10000-0162 5.1.30
4. TO CONFORM TO SINGATRON HAZARDOUS SUBSTANCE FREE SPEC.
5. GREEN PRODUCT IDENTIFICATION LABEL ON PACKAGING:

Pin Assignments
Front View



D	12	
	11	
	10	DRAIN
	9	WHITE
	8	BLACK
	7	PINK
	6	PINK/WHITE
	5	ORANGE/WHITE
	4	ORANGE
	3	BLUE
	2	BROWN
B	1	WIRE COLOR CONN.

NO	DESCRIPTION	QTY	MATERIAL	PLATING & COLOR
A	BODY	1	TPU	BLACK
B	FEMALE PIN	12	C5210-EH,T=0.15mm	Au 6u" Over Nickel Plating
C	SCREW NUT	1	PA66+GF	BLACK
D	O-RING	1	VITON	RED
E	OVER MOLD	1	TPU	BLACK
F	INEER MOLD	1	TPU	BLACK
G	HEAT SHRINK TUBE	9	Ø1.5mm 300V 125°C	BLACK
H	CABLE	1	PVC UL20276 26AWG*8C+AEB	BLACK
I	HEAT SHRINK TUBE	1	Ø8mm 300V 125°C	BLACK
J	HEAT SHRINK TUBE	1	Ø0.8mm 300V 125°C	GREEN

UNLESS OTHERWISE SPECIFIED TOLERANCES

DECIMALS: ANGLES:

X :±0.5 X :±2°
X.X :±0.3 X.X :±1°
X.XX :±0.2

Suzhou Singatron Auto Electronics CO.,LTD.
蘇州信營汽車電子有限公司

TITLE M12 SERIES 180° 12PIN FEMALE CONN.

DWN JAY PART NO:ZMT3010-W1222XH

CHKD Cary SCALE 2:1 UNIT: mm

APVD William SIZE: A3 SHEET: 1 OF 1 REV: A

CUSTOMER COPY