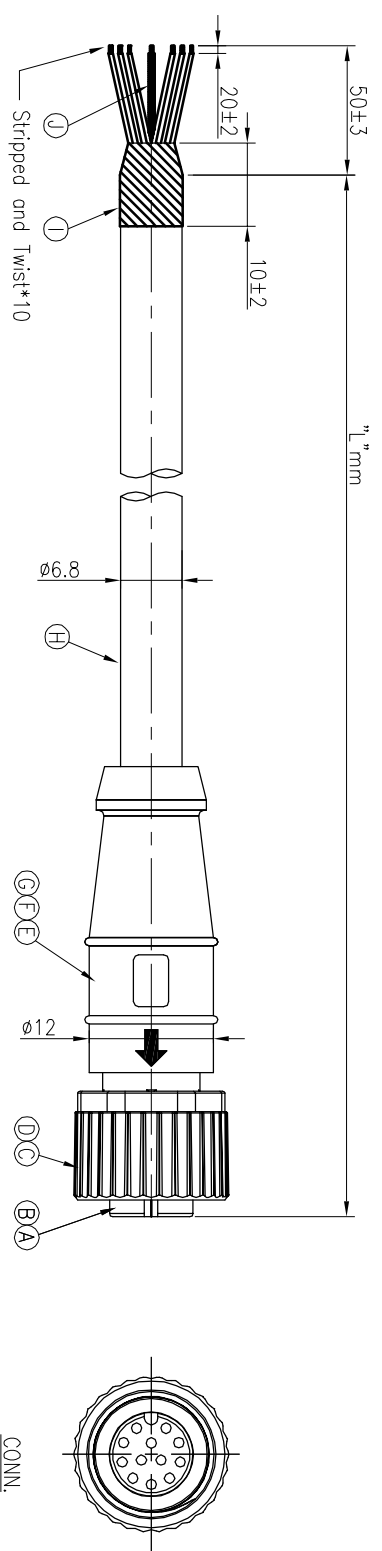


REV.	ECN NO.	OR DESCRIPTION	REVISED	DATE
A	PDR NO:1200206-3A~3D		JAY	2020.12.24

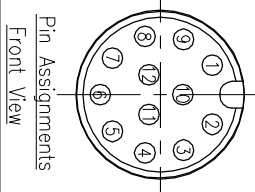


12		
11	DRAIN	
10	WHITE	
9	YELLOW	
8	RED	TWIST
7	PINK	
6	PINK/WHITE	TWIST
5	ORANGE/WHITE	
4	ORANGE	TWIST
3	BLUE	
2	BROWN	
1	WIRE COLOR	CONN.
PIN OUT		

DELTA PART NO	ERV.	PART NO	"L" mm
3081910200	00	ZMT3010-W12227H	L=2500±50
3081910300	00	ZMT3010-W12228H	L=3500±50
3081910400	00	ZMT3010-W12229H	L=5000±50
3081910500	00	ZMT3010-W12230H	L=10000±100

NOTES:

1. WATERPROOF RATE: IP67
IP67: IMMERSED IN 1M WATER FOR 30 MINUTES
2. RATING:DC 30V
3. SPECIFICATIONS:SEE "M12 SERIES SPECIFICATIONS".
- 4.The substances must meet RoHS & Delta standard 10000-0162 5.1.30
5. GREEN PRODUCT IDENTIFICATION LABEL ON PACKAGING:



J	HEAT SHRINK TUBE	1	φ0.8mm 300V 125°C	GREEN
I	HEAT SHRINK TUBE	1	φ7mm 300V 125°C	BLACK
H	CABLE	1	PVC UL20276 26AWG*3P+3C+AEB	Blue
G	HEAT SHRINK TUBE	10	φ1.5mm 300V 125°C	BLACK
F	INEER MOLD	1	TPU	BLACK
E	OVER MOLD	1	TPU	BLACK
D	O-RING	1	VTION	RED
C	SCREW NUT	1	PA66+GF	BLACK
B	FEMALE PIN	12	C5210-EH,T=0.15mm	Au 6u" Over Nickel Plating
A	BODY	1	TPU	BLACK

UNLESS OTHERWISE SPECIFIED TOLERANCES		Suzhou Singatron Auto Electronics CO.,LTD. 蘇州信誼汽車電子有限公司	
NO	DESCRIPTION	QTY	MATERIAL
TITLE M12 SERIES 180° 12PIN FEMALE CONN.			
DWN JAY PART NO:ZMT3010-W122XXH			
CHKD Carry SCALE 2:1 UNIT: mm			
APVD William SIZE: A3 SHEET:1 OF 1 REV: A			

DECIMALS:	ANGLES:
X :±0.5	X :±2°
X.X :±0.3	X.X :±1°
X.XX :±0.2	

CUSTOMER COPY