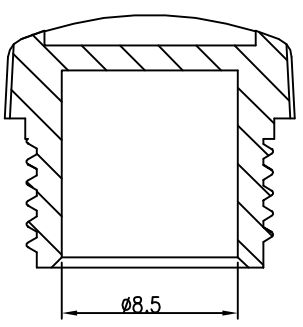
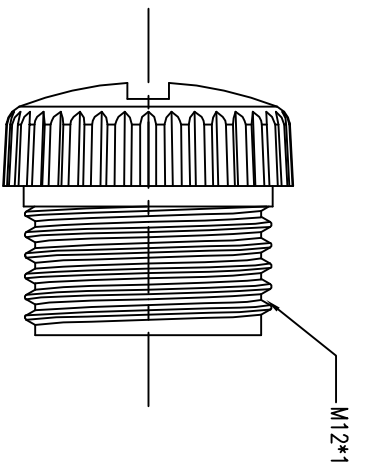
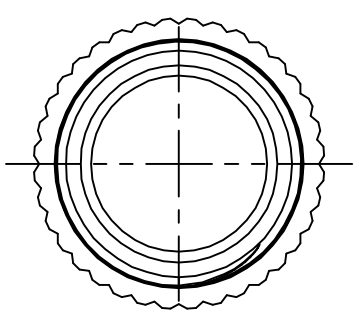
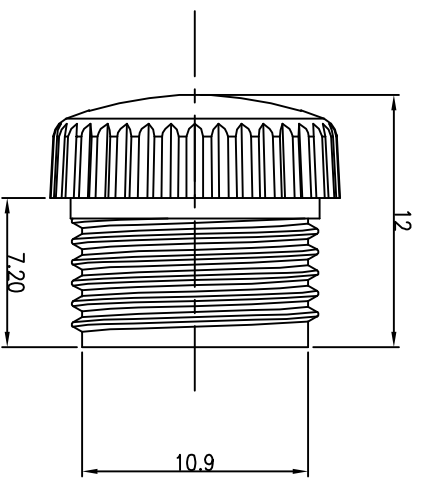
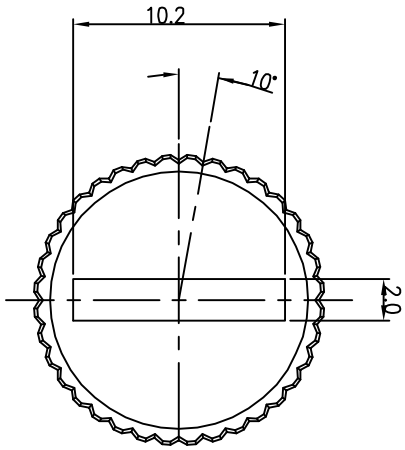



REV.	ECN NO.	OR DESCRIPTION	REVISED	DATE
A	PDR NO.:	S170613-2C	Yang	2017.06.21



- NOTES:
1. SPECIFICATIONS:SEE M12 SERIES SPECIFICATIONS'.
  2. TO CONFORM TO SINGATRON HAZARDOUS SUBSTANCE FREE SPEC.
  3. GREEN PRODUCT IDENTIFICATION LABEL ON PACKAGING: 

A	CAP	1	PAG6	BLACK
NO	DESCRIPTION	QTY	MATERIAL	PLATING & COLOR
UNLESS OTHERWISE SPECIFIED TOLERANCES				
DECIMALS:	ANGLES:			
X :±0.5	X :±2°			
X.X :±0.3	X.X :±1°			
X.XX :±0.2				
TITLE	M12 WATERPROOF CAP			
DWN	Yang	PART NO.2MT3012-W0003CH		
CHKD	Jf	SCALE 2:1 UNIT: mm		
APVD	Steve	SIZE: A3 SHEET:1 OF 1 REV:A		

**CUSTOMER COPY**

 Singatron Enterprise Co., Ltd.  
信晉企業股份有限公司