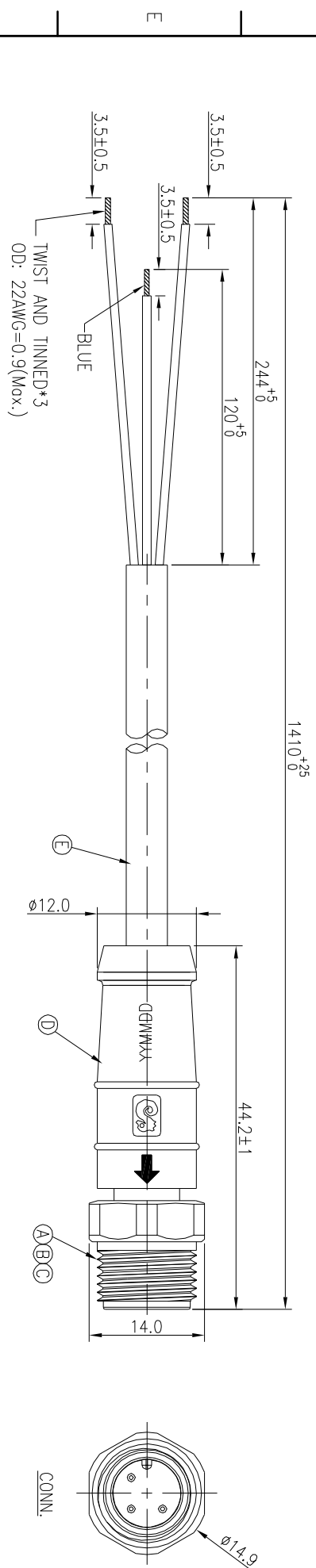
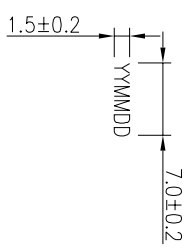


REV.	ECN NO.	OR DESCRIPTION	REVISED	DATE
A	ECN NO.A181001-0		Vcky	2018.10.23



CUSTOMER P/N	SINGATRON P/N
MHCAH130021500	2MT3012-W03308H

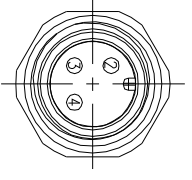


- NOTES:
1. WATERPROOF RATE: IP66/IP67
  2. ELECTRICAL CHARACTERISTICS  
TEMPERATURE RANGE: -40°C TO +80°C  
RATING: 60V AC/DC 5A

3. SPECIFICATIONS:SEE "M12 SERIES SPECIFICATIONS".
4. TO CONFORM TO ROHS REQUIREMENT AND REACH REGULATION
5. GREEN PRODUCT IDENTIFICATION LABEL ON PACKAGING: **GREEN PASS**
6. NON-HUMAN FACTORS CASE SERVICE LIFE IS 5 YEARS
7. TORQUE FORCE: 0.8~1.0N.m
8. SUS 316F OR SAME GRADE THAT CAN PASS 200H SALT SPRAY TEST
9. LASE DATE CODE "YYMMDD" ON TOP OF OVER MOLD



4	BLACK
3	BLUE
2	WHITE
CONN. WIRE COLOR	
PIN OUT	
CONN.	



Pin Assignments  
Front View

NO	DESCRIPTION	QTY	MATERIAL	PLATING & COLOR
E	CABLE	1	UL 2464 22AWG*1P+ 22#*1C UV RESISTANT	BLACK (PVC JACKET)
D	OVER MOLD	1	TPU	BLACK
C	MALE SCREW NUT	1	SEE"NOTE 8"	N/A
B	MALE PIN	3	BRASS	6u" GOLD PLATING OVER NICKEL PLATING
A	BODY	1	TPU	BLACK

UNLESS OTHERWISE SPECIFIED TOLERANCES

DECIMALS:	ANGLES:
X :±0.5	X :±2°
X.X :±0.3	X.X :±1'
X.XX :±0.2	

TITLE	M12 SERIES 180° 3PIN MALE CONN.
DWN	Vcky
CHKD	JF
APVD	William
PART NO.	2MT3012-W03308H
SCALE	2:1
SIZE	A3
SHEET	1 OF 1
REV	A

Singatron Enterprise Co., Ltd.  
信亨企業股份有限公司  
CUSTOMER COPY