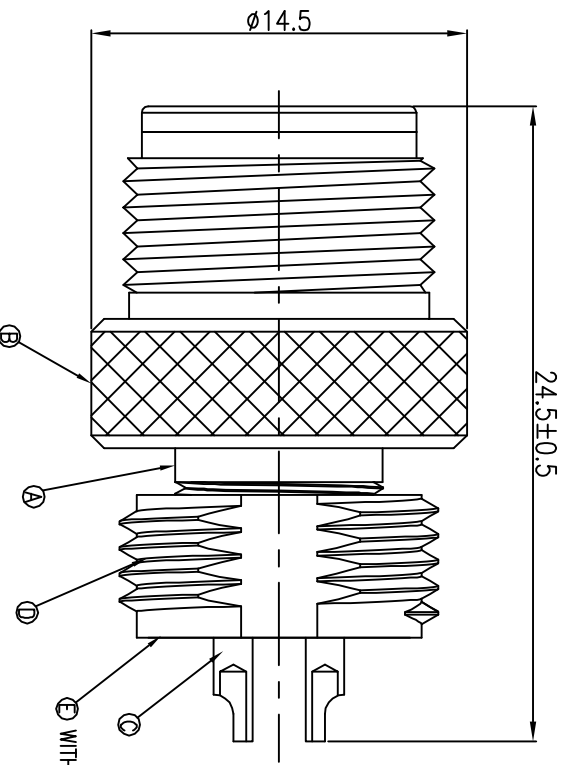
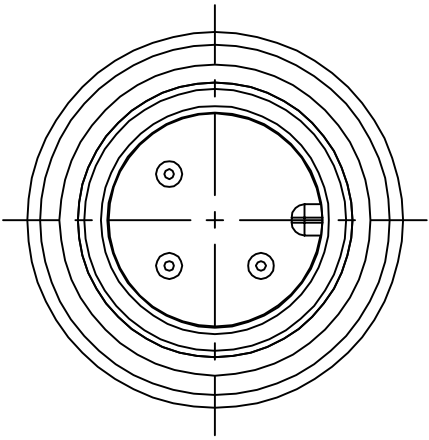


REV.	ECN NO OR DESCRIPTION	REVISED	DATE
A	PDR NO.:S170915-4A	JF	2017.09.18



- NOTES:
1. WATERPROOF RATE: IP67(WHEN PROPERLY MATED)
 2. INSULATION RESISTANCE: 100M Ohm Min. BY 500 VDC
 3. TEMPERATURE RANGE: -40°C TO +105°C
 4. SPECIFICATIONS:SEE "M12 SERIES SPECIFICATIONS".
 5. TO CONFORM TO SINGATRON HAZARDOUS SUBSTANCE FREE SPEC.
 6. GREEN PRODUCT IDENTIFICATION LABEL ON PACKAGING:

NO	DESCRIPTION	QTY	MATERIAL	PLATING & COLOR
E	LIQUID GLUE	1	N/A	BLACK
D	SERCW NUT	1	PA66+GF	BLACK
C	MALE PIN	3	BRASS	GOLD PLATING OVER NICKEL PLATING
B	SERCW NUT	1	BRASS	OVER NICKEL PLATING
A	BODY	1	TPU	BLACK

UNLESS OTHERWISE SPECIFIED TOLERANCES

DECIMALS:	ANGLES:	TITLE
X :±0.5	X :±2°	M12 SERIES MALE CONN.(5A)
XX :±0.3	XX :±1°	DWN JF
XXX :±0.2		CHKD Yang
		APVD Steve

Singatron Enterprise Co., Ltd.
信譽企業股份有限公司

PART NO.2MT3012-W033D0H
SCALE 4:1 UNIT: mm

SIZE: A3 SHEET:1 OF 1 REV: A

CUSTOMER COPY

