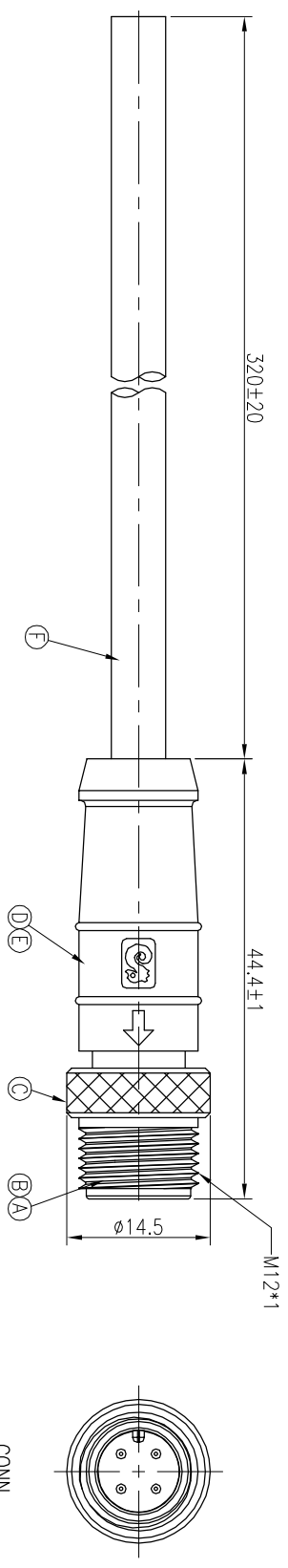
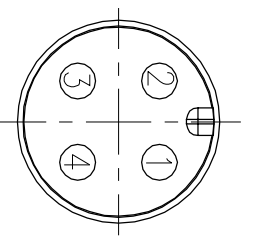


| REV | ECN NO | OR DESCRIPTION | REVISED | DATE |
|-----|--------------------|----------------|------------|------|
| A | PDR NO.:S131028-4A | Shown | 2014.02.11 | |



WATERPROOF RATE: IP67

| | |
|---------------------------|-------|
| RED | 4 |
| COAX SHIELD(VIDEO GROUND) | 3 |
| COAX CORE(VIDEO SIGNAL) | 2 |
| BLACK | 1 |
| WIRE COLOR | CONN. |
| PIN OUT | |



Pin Assignments
Front View

- NOTES:
1. WATERPROOF RATE: IP67
IP67: IMMERSED IN 1M WATER FOR 30 MINUTES
 2. CURRENT RATING: 60V 5A
 3. SPECIFICATIONS:SEE "M12 SERIES SPECIFICATIONS".
 4. TO CONFORM TO THE SINGATRON HAZARDOUS SUBSTANCE FREE SPEC.
 5. GREEN PRODUCT IDENTIFICATION LABEL ON PACKAGING:

| A | B | C | D | E | F |
|----|-------------|-----|-----------------------|---|---|
| NO | DESCRIPTION | QTY | MATERIAL | PLATING & COLOR | |
| A | BODY | 1 | TPU | BLACK | |
| B | MALE PIN | 4 | BRASS | 6u" GOLD PLATING OVER NICKEL PLATING | |
| C | SCREW NUT | 1 | BRASS | NICKEL PLATING 100u" | |
| D | OVER MOLD | 1 | TPU | NATURAL | |
| E | INNER MOLD | 1 | TPU | BLACK | |
| F | CABLE | 1 | CUSTOMER REQUIREMENTS | BLACK(PVC JACKET) | |

| | | | |
|---------------------------------------|----------------------------------|--|-----------------|
| UNLESS OTHERWISE SPECIFIED TOLERANCES | | Singatron Enterprise Co., Ltd. 信亨企業股份有限公司 | |
| TITLE | M12 SERIES 180° 4 PIN MALE CONN. | PART NO. | 2MT3012-W04339H |
| DWN | Shown | SCALE | 2:1 |
| CHKD | Horlen | UNIT | mm |
| APVD | Quon | SIZE | A3 |
| | | SHEET | 1 OF 1 |
| | | REV | A |

CUSTOMER COPY