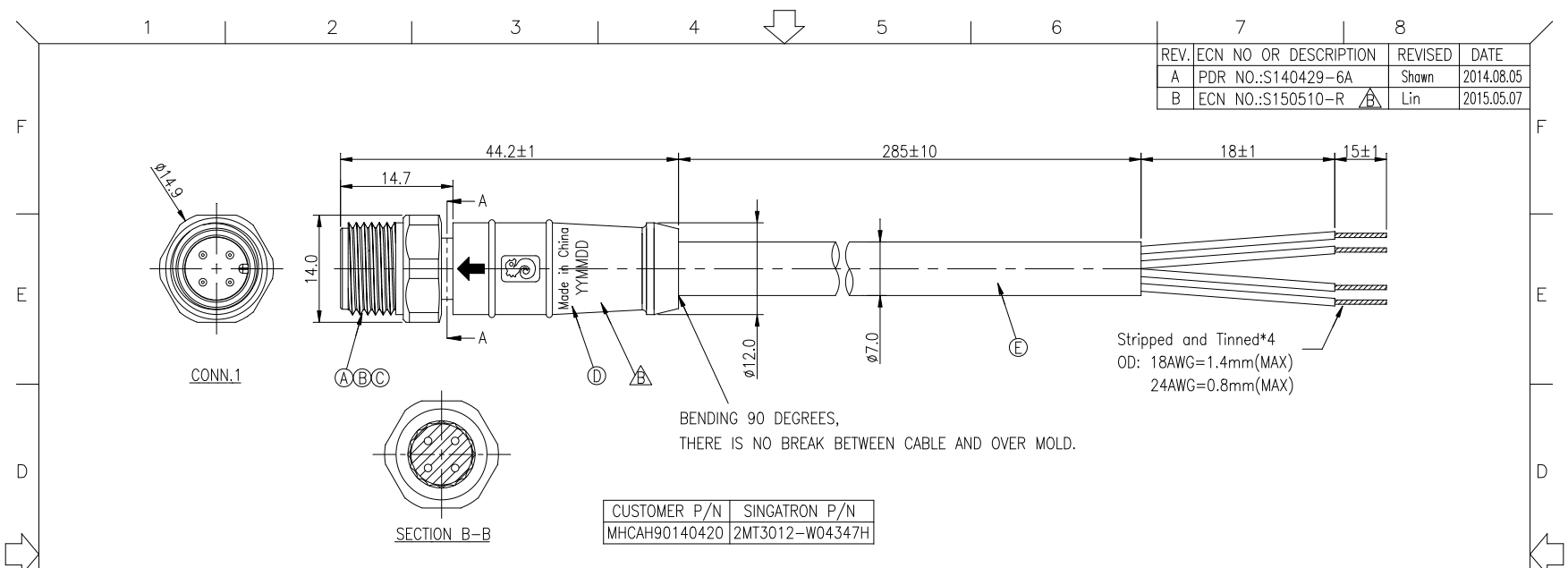


REV.	ECN NO OR DESCRIPTION	REVISED	DATE
A	PDR NO.:S140429-6A	Shawn	2014.08.05
B	ECN NO.:S150510-R	Lin	2015.05.07



CUSTOMER P/N	SINGATRON P/N
MHCAH90140420	2MT3012-W04347H

4	BLACK	TWIST
3	BLUE	
2	WHITE	
1	BROWN	
CONN.1	WIRE COLOR	
PIN OUT		
CONN.1		
Pin Assignments Front View		

NOTES:

1. WATERPROOF RATE: IP66/IP67
2. ELECTRICAL CHARACTERISTICS
TEMPERATURE RANGE: -40° TO +80°
RATING: 60V AC/DC 6.2A
TEST CONDITION: DC300V 10Mohm 10ms
3. SPECIFICATIONS: SEE "M12 SERIES SPECIFICATIONS".
4. TO CONFORM TO ROHS REQUIREMENT AND REACH REGULATION
5. GREEN PRODUCT IDENTIFICATION LABEL ON PACKAGING: **RoHS PASS**
6. NON-HUMAN FACTORS CASE SERVICE LIFE IS 5 YEARS
7. TORQUE FORCE: 0.8~1.0N.m
8. SUS 316F OR SAME GRADE THAT CAN PASS 200H SALT SPRAY TEST
9. LASE DATE CODE "YYMMDD" ON TOP OF OVER MOLD

DATE CODE: YYMMDD
 — DAY
 — MONTH
 — YEAR

E	CABLE	1	UL20549(-40°~+80°) 18#*2C+24#*1P UV RESISTANT OD=φ7.0	BLACK (PU JACKET)
D	OVER MOLD	1	TPU	BLACK
C	MALE SCREW NUT	1	SEE "NOTE 8"	NATURAL
B	MALE PIN	4	BRASS	6u" GOLD PLATING OVER NICKEL PLATING
A	BODY	1	TPU	BLACK
NO	DESCRIPTION	QTY	MATERIAL	PLATING & COLOR
UNLESS OTHERWISE SPECIFIED TOLERANCES		Singatron Enterprise Co., Ltd. 信音企業股份有限公司		
DECIMALS:		TITLE		
X	:±0.5	M12 SERIES 180° 4PIN MALE CONN.		
X.X	:±0.3	DWN	Lin	PART NO. 2MT3012-W04347H
X.XX	:±0.2	CHKD	JF	SCALE 2:1 UNIT: mm
		APVD	Steve	SIZE: A3 SHEET: 1 OF 1 REV: B
CUSTOMER COPY				