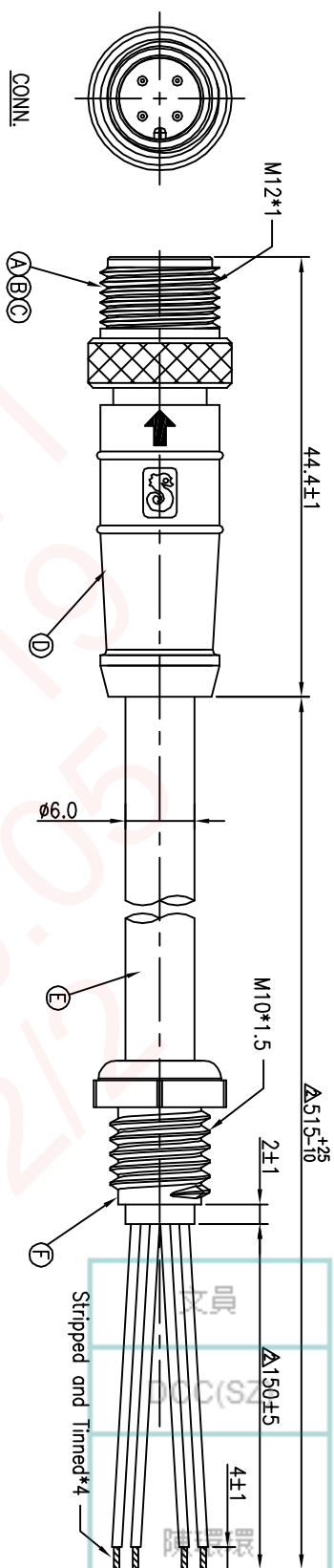
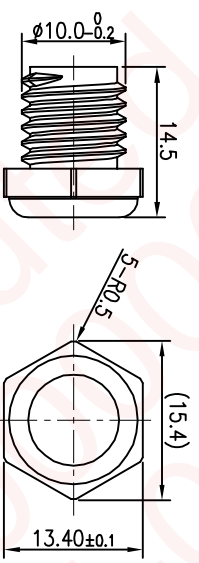


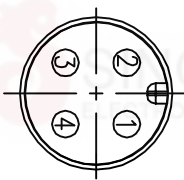
REV.	ECN NO OR DESCRIPTION	REVISED	DATE
A	PDR NO.:S140805-4A	JF	2015.01.10



WATERPROOF RATE: IP67



4	GREEN(24#)
3	BLACK(18#)
2	BLUE(24#)
1	RED(18#)
CONN. WIRE COLOR	
PIN OUT	
CONN.	



Pin Assignments
Front View

NOTES:

1. WATERPROOF RATE: IP67
2. CURRENT RATING: 5A
3. SPECIFICATIONS:SEE "M12 SERIES SPECIFICATIONS".
4. TO CONFORM TO THE SINGATRON HAZARDOUS SUBSTANCE FREE SPEC.
5. GREEN PRODUCT IDENTIFICATION LABEL ON PACKAGING: **RoHS**

F	SR	1	ABS	BLACK
E	CABLE	1	UL2464 18AWG*2C+ 24AWG*3C+AL (UV RESISTANT)	BLACK(PVC JACKET)
D	OVER MOLD	1	TPU	BLACK
C	SCREW NUT	1	BRASS	NATURAL
B	MALE PIN	4	BRASS	1~3.1" GOLD PLATING OVER NICKEL PLATING
A	BODY	1	TPU	BLACK
NO	DESCRIPTION	QTY	MATERIAL	PLATING & COLOR
UNLESS OTHERWISE SPECIFIED TOLERANCES				
TITLE M12 SERIES 180° 4PIN MALE CONN.				
DWN JF PART NO.2MT3012-W04349H				
CHKD Harlen SCALE 2:1 UNIT: mm				
APVD Steve SIZE: A3 SHEET:1 OF 1 REV: A				

Singatron Enterprise Co., Ltd.
信亨企業股份有限公司

CUSTOMER COPY

