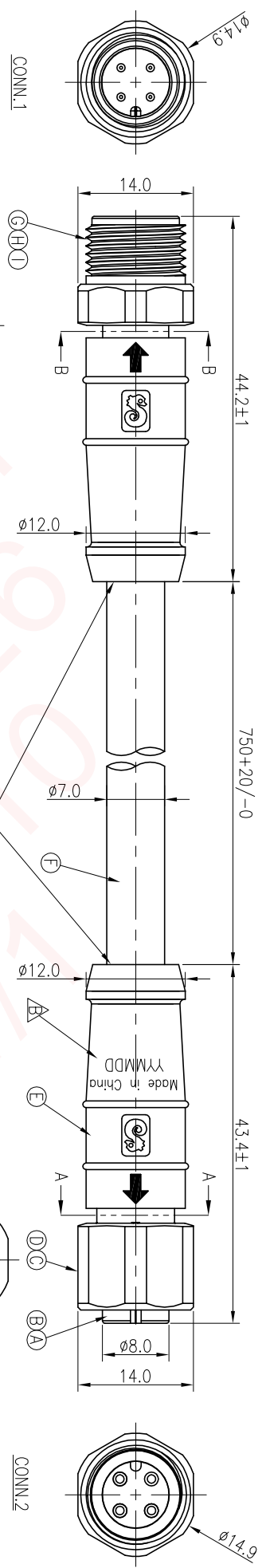


REV.	ECN NO. OR DESCRIPTION	REVISED	DATE
A	PDR NO.:S140519-7A	Shown	2014.08.05
B	ECN NO.:S150546-R	Lin	2015.05.22

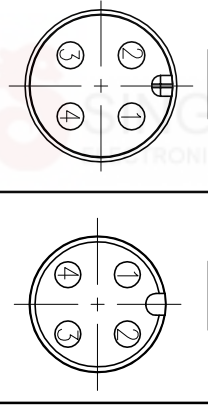


CUSTOMER P/N	SINGATRON P/N
TUAC.0001900	ZMT3012-W04357H

SECTION B-B

SECTION A-A

4	BLACK	4
3	BLUE	3
2	WHITE	2
1	BROWN	1
CONN.1 WIRE COLOR		CONN.2
PIN OUT		
CONN.1		CONN.2



- NOTES:
1. WATERPROOF RATE: IP66/IP67
  2. ELECTRICAL CHARACTERISTICS
  - TEMPERATURE RANGE:-40° TO +80°
  - RATING: 60V AC/DC 6.2A
  - TEST CONDITION: DC300V 10M $\Omega$ m 10ms
  3. SPECIFICATIONS:SEE "M12 SERIES SPECIFICATIONS".
  4. TO CONFORM TO ROHS REQUIREMENT AND REACH REGULATION
  5. GREEN PRODUCT IDENTIFICATION LABEL ON PACKAGING: **GR PASS**
  6. NON-HUMAN FACTORS CASE SERVICE LIFE IS 5 YEARS
  7. TORQUE FORCE: 0.8~1.0N.m
  8. SUS 316F OR SAME GRADE THAT CAN PASS 200H SALT SPRAY TEST
  9. LASE DATE CODE "YMMDD" ON TOP OF OVER MOLD
- DATE CODE: YMMDD  
 DAY MONTH YEAR

Pin Assignments  
Front View

I	MALE SCREW NUT	1	SEE"NOTE 8"	N/A
H	MALE PIN	4	BRASS	6u" GOLD PLATING OVER NICKEL PLATING
G	BODY	1	TPU	BLACK
F	CABLE	1	UL20549(-40°~+80°) 18#*2C+24#*1P UV RESISTANT OD= $\phi$ 7.0	BLACK (PU JACKET)
E	OVER MOLD	2	TPU	BLACK
D	O-RING	1	VITON	RED
C	FEMALE SCREW NUT	1	SEE"NOTE 8"	N/A
B	FEMALE PIN	4	Phosphor Bronze	6u" GOLD PLATING OVER NICKEL PLATING
A	BODY	1	TPU	BLACK
NO	DESCRIPTION	QTY	MATERIAL	PLATING & COLOR
UNLESS OTHERWISE SPECIFIED TOLERANCES				
Singatron Enterprise Co., Ltd. 信營企業股份有限公司				
TITLE M12 SERIES 180° 4PIN FEMALE CONN. TO MALE CONN.				
DECIMALS:	ANGLES:	PART NO.ZMT3012-W04357H		
X : $\pm$ 0.5	X : $\pm$ 2°	DWN	Lin	SCALE 2:1
X.X : $\pm$ 0.3	X.X : $\pm$ 1°	CHKD	Harlen	UNIT: mm
X.XX : $\pm$ 0.2		APVD	Steve	SIZE: A3
SHEET:1 OF 1 REV: B				
CUSTOMER COPY				