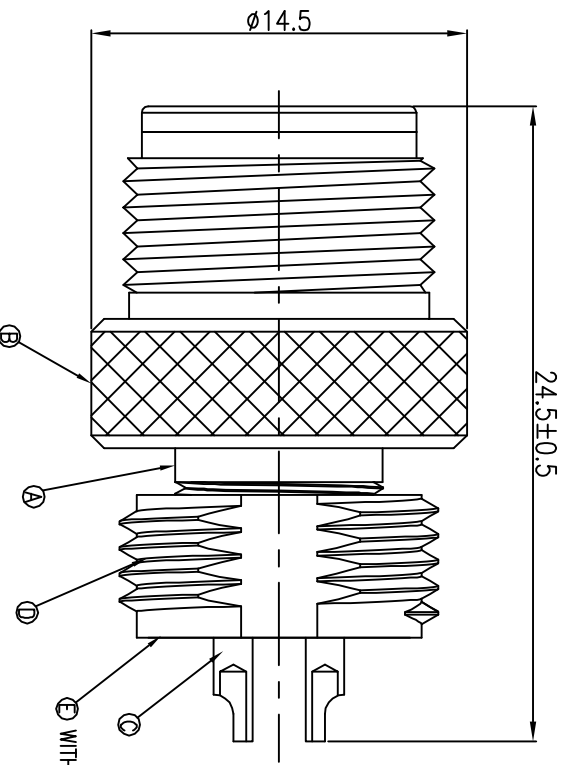
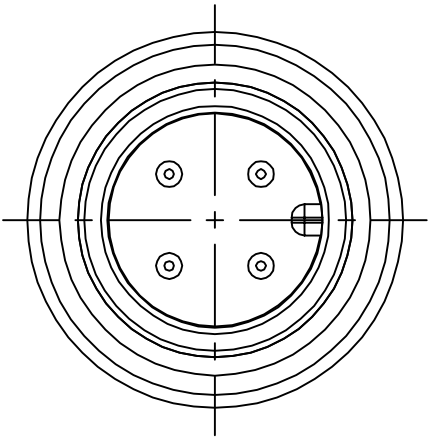


| REV. | ECN NO OR DESCRIPTION | REVISED | DATE |
|------|-----------------------|---------|------------|
| A | PDR NO.:S170915-5A | JF | 2017.09.18 |



- NOTES:
1. WATERPROOF RATE: IP67(WHEN PROPERLY MATED)
 2. INSULATION RESISTANCE: 100M Ohm Min. BY 500 VDC
 3. TEMPERATURE RANGE: -40°C TO +105°C
 4. SPECIFICATIONS:SEE "M12 SERIES SPECIFICATIONS".
 5. TO CONFORM TO SINGATRON HAZARDOUS SUBSTANCE FREE SPEC.
 6. GREEN PRODUCT IDENTIFICATION LABEL ON PACKAGING: GR-PASS

| | | | | |
|--|-------------|-------------------------|----------|-------------------------------------|
| E | LIQUID GLUE | 1 | N/A | BLACK |
| D | SERCW NUT | 1 | PA66+GF | BLACK |
| C | MALE PIN | 4 | BRASS | GOLD PLATING OVER NICKEL PLATING |
| B | SERCW NUT | 1 | BRASS | OVER NICKEL PLATING |
| A | BODY | 1 | PA66+GF | BLACK |
| NO | DESCRIPTION | QTY | MATERIAL | PLATING & COLOR |
| UNLESS OTHERWISE SPECIFIED TOLERANCES | | | | |
| Singatron Enterprise Co., Ltd. 信譽企業股份有限公司 | | | | |
| DECIMALS: ANGLES: | | | | |
| X | :±0.5 | X | :±2° | |
| XX | :±0.3 | XX | :±1° | |
| XXX | :±0.2 | | | |
| TITLE: M12 SERIES MALE CONN.(5A) | | | | |
| DWN | JF | PART NO.2MT3012-W043D0H | | |
| CHKD | Yang | SCALE | 4:1 | UNIT: mm |
| APVD | Steve | SIZE: | A3 | SHEET:1 OF 1 |
| REV: A | | | | |

CUSTOMER COPY

