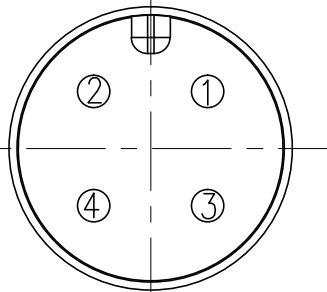
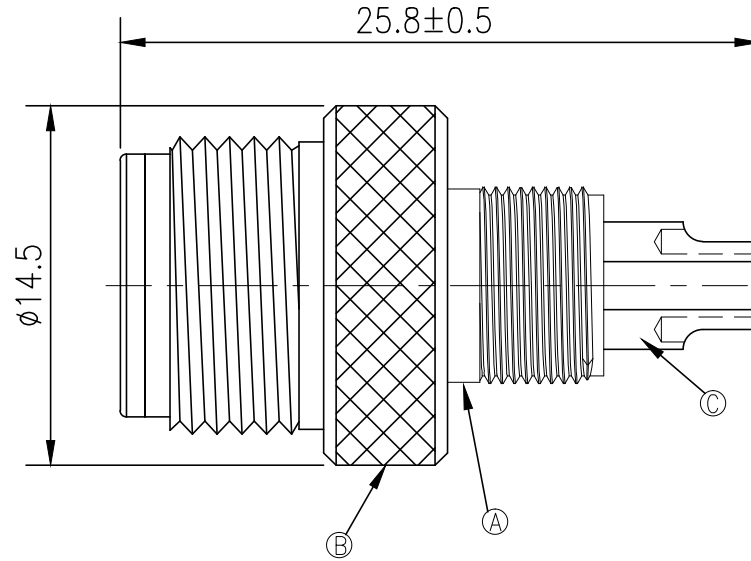
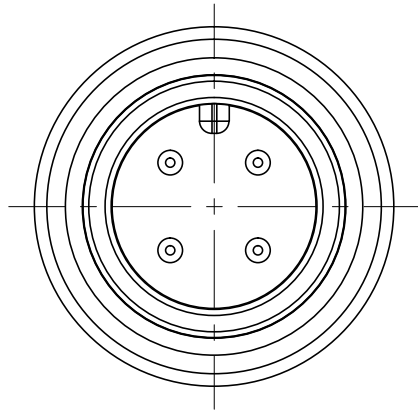


REV.	ECN NO OR DESCRIPTION	REVISED	DATE
A	PDR NO.:T190801-7A	JTT	2019.12.26



Pin Assignments
Front View

NOTES:

1. WATERPROOF RATE: IP67(WHEN PROPERLY MATED)
2. INSULATION RESISTANCE: 100M Ohm Min. BY 500 VDC
3. TEMPERATURE RANGE: -40°C TO +105°C
4. SPECIFICATIONS:SEE "M12 SERIES SPECIFICATIONS".
5. TO CONFORM TO SINGATRON HAZARDOUS SUBSTANCE FREE SPEC.
6. GREEN PRODUCT IDENTIFICATION LABEL ON PACKAGING: **G.P. PASS**

NO	DESCRIPTION	QTY	MATERIAL	PLATING & COLOR
C	MALE PIN	4	BRASS	GOLD PLATING OVER NICKEL PLATING
B	SERCW NUT	1	BRASS	OVER NICKEL PLATING
A	BODY	1	TPU	BLACK

UNLESS OTHERWISE SPECIFIED TOLERANCES

DECIMALS:	ANGLES:	TITLE	M12 SERIES MALE CONN.(5A)	
X :±0.5	X :±2°	DWN	JTT	PART NO.2MT3012-W043D1H
X.X :±0.3	X.X :±1°	CHKD	Cerry	SCALE 4:1 UNIT: mm
X.XX :±0.2		APVD	William	SIZE: A3 SHEET:1 OF 1 REV: A

CUSTOMER COPY