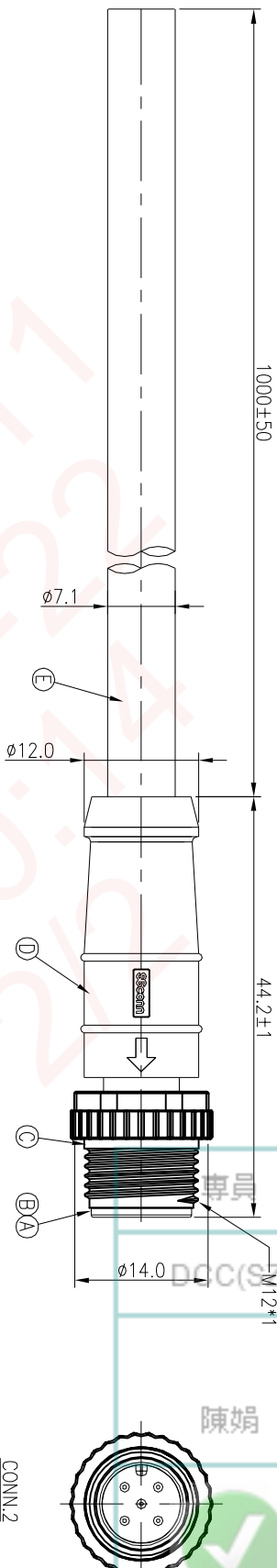


REV.	ECN NO OR DESCRIPTION	REVISED	DATE
A	PDR NO.:T140221-13C	JF	2015.09.23



C	5	BLUE(24AWG)	TWIST
	4	WHITE(24AWG)	TWIST
	3	BLACK(22AWG)	TWIST
	2	RED(22AWG)	TWIST
	1	DRAIN	
B	PIN OUT WIRE COLOR		
	CONN. CONN.		
A	Pin Assignments Front View		

- NOTES:
- 1 ELECTRICAL CHARACTERISTICS:
- 1-1 CURRENT RATING: 5 AMPS.
  - 1-2 CONTACT RESISTANCE: 3 Ohm Max.
  - 1-3 INSULATION RESISTANCE: 100 MOhm Min. at 500VDC.
  - 1-4 BREAKDOWN VOLTAGE: 500 VAC PER MINUTE.
2. MECHANICAL CHARACTERISTICS:
- TIGHTENING TORQUES: 1.0~1.2Nm(8.85~10.62lbf.in.).
3. ENVIRONMENTAL:
- 3-1 OPERATING TEMPERATURE: -40°C TO +80°C.
  - 3-2 SEALING REQUIREMENTS: IP67.
  - 4. LIFE TEST: 1,000 CYCLES MIN.
  - 5. OTHER GENERAL SPEC. TO REFER "M12 SERIES SPEC."
  - 6. FOR TECHNICAL DATA REFER TO YOUR LOCAL SINGATRON ELECTRONICS SALES OFFICE.
  - 7. ALL DIMENSIONS ARE NOMINAL FOR REFERENCE ONLY UNLESS OTHERWISE STATED.
  - 8. TO CONFORM TO SINGATRON HAZARDOUS SUBSTANCE FREE SPEC.
  - 9. GREEN PRODUCT IDENTIFICATION LABEL ON PACKAGING: **GREEN PASS**.

E	CABLE	1	ODVA (24#*1P+AL) +(22#*1P+AL)+ADB UV RESISTANT OD=φ7.1	GRAY (PVC JACKET)
D	OVER MOLD	1	TPU	BLACK
C	FEMALE SCREW NUT	1	PA66+GF	BLACK
B	MALE PIN	5	COPPER ALLOY	5u" GOLD PLATING 20u" Pd/Ni PLATING OVER NICKEL 50u"
A	BODY	1	TPU	BLACK
UNLESS OTHERWISE SPECIFIED TOLERANCES		QTY	MATERIAL	PLATING & COLOR
DECIMALS:		TITLE		
X : ±0.5	X : ±2'	M12 SERIES 180° SPIN MALE CONN.		
XX : ±0.3	XX : ±1'	SINGATRON ENTERPRISE CO., LTD.		
XXX : ±0.2		信亨企業股份有限公司		
APVD		Horlen	SIZE: A3	SHEET: 1 OF 1
CUSTOMER COPY				

陳娟

2015/10/20  
11:06:59