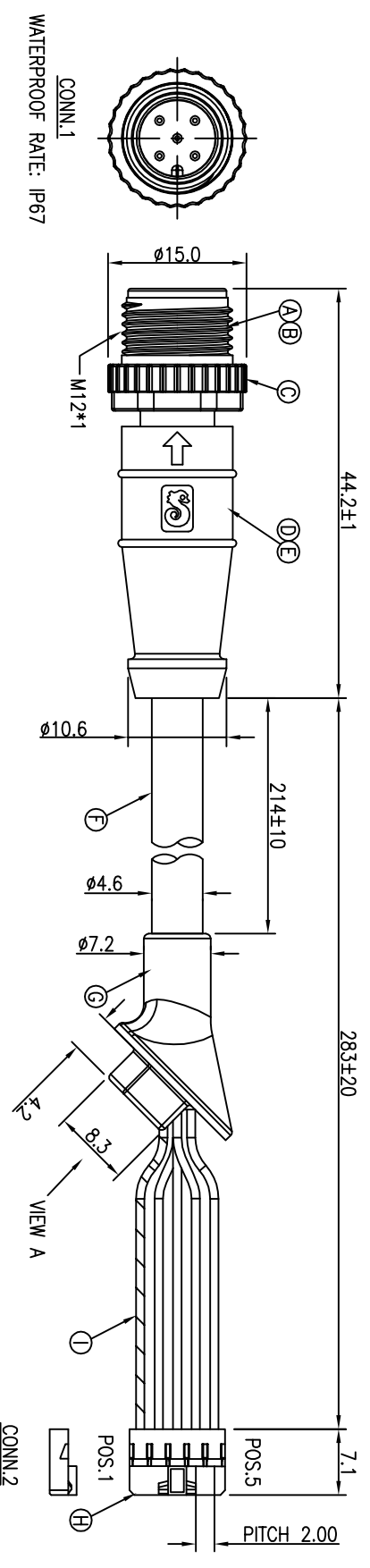
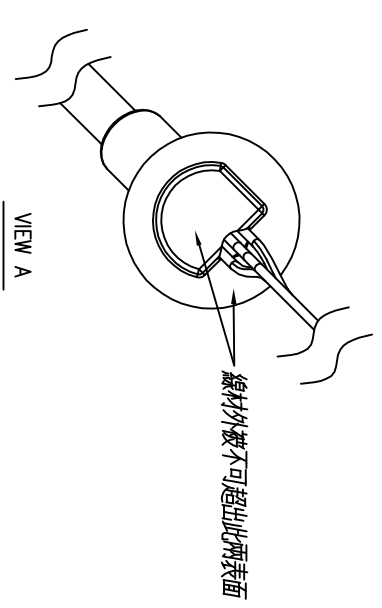


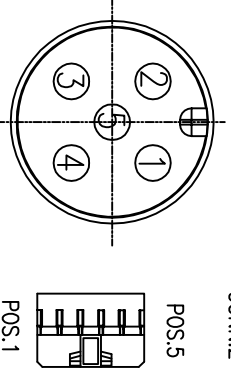
REV.	ECN NO OR DESCRIPTION	REVISED	DATE
A	PDR NO:S170704-2A	Yang	2018.01.05



WATERPROOF RATE: IP67



CONN.1	WIRE COLOR	CONN.2
5	BLUE	5
4	WHITE	4
3	BLACK	3
2	RED	2
1	DRAIN	1



- NOTES:
1. WATERPROOF RATE: IP67
IP67: IMMersed IN 1M WATER FOR 30 MINUTES
 2. CURRENT RATING: 5A
 3. SPECIFICATIONS:SEE "M12 SERIES SPECIFICATIONS".
 4. TO CONFORM TO THE SINGATRON HAZARDOUS SUBSTANCE FREE SPEC.
 5. GREEN PRODUCT IDENTIFICATION LABEL ON PACKAGING: [See: Pass]

NO	DESCRIPTION	QTY	MATERIAL	PLATING & COLOR
A	BODY	1	TPU	BLACK
B	MALE PIN	5	BRASS	GOLD PLATING OVER NICKEL PLATING
C	SCREW NUT	1	PA66	BLACK
D	OVER MOLD	1	TPU	BLACK
E	INNER MOLD	1	TPU	BLACK
F	CABLE	1	26AWG*2P+D +AL OD4.6	PURPLE(PU JACKET)
G	SR	1	TPU 50A	BLACK
H	CONNECTOR	1	HSG:PA66 UL94V-0	WHITE
I	TUBE	1	125°C 300V	BLACK

DECIMALS:	ANGLES:
X :±0.5	X :±2'
X.X :±0.3	X.X :±1'
X.XX :±0.2	

APVD	SIZE	SHEET	REV
Steve	A3	1 OF 1	REV:A

CUSTOMER COPY

Singatron Enterprise Co., Ltd.
 信晉企業股份有限公司