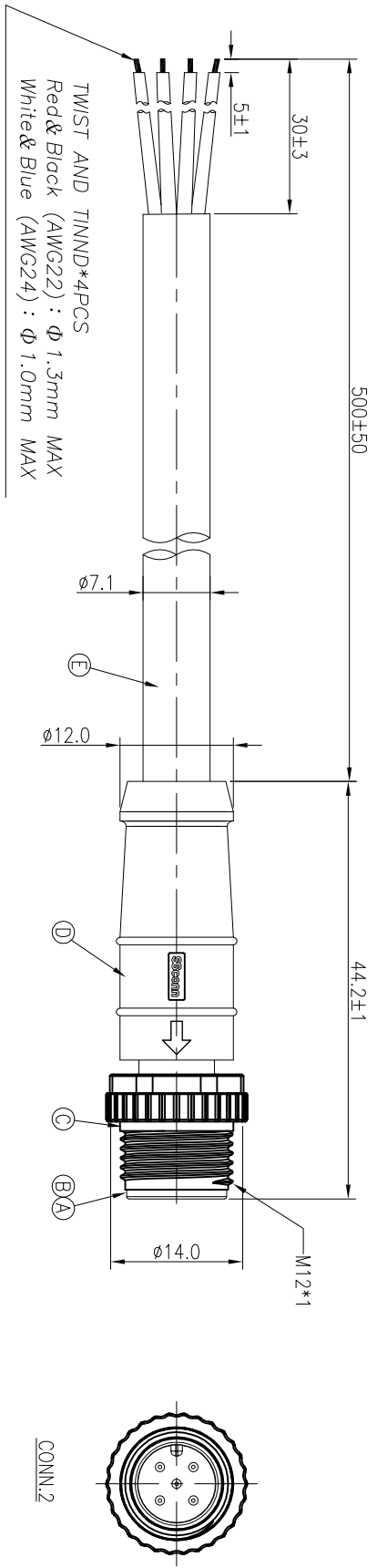
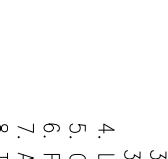


REV.	ECN NO OR DESCRIPTION	REVISED	DATE
A	PDR NO.:T180522-2A	JAY	2019.02.21
B	ECN NO.:S201911-C21	JAY	2019.11.29



5	BLUE(24AWG)	TWIST
4	WHITE(24AWG)	TWIST
3	BLACK(22AWG)	TWIST
2	RED(22AWG)	TWIST
1	DRAIN	



- NOTES:
- ELECTRICAL CHARACTERISTICS:
 - 1-1 CURRENT RATING: 5 AMPS.
 - 1-2 CONTACT RESISTANCE: 3 Ohm Max.
 - 1-3 INSULATION RESISTANCE: 100 Mohm Min. at 500VDC.
 - 1-4 BREAKDOWN VOLTAGE: 500 VAC PER MINUTE.
 - MECHANICAL CHARACTERISTICS:
 - TIGHTENING TORQUES: 1.0~1.2Nm(8.85~10.62lbf.in.).
 - ENVIRONMENTAL:
 - 3-1 OPERATING TEMPERATURE: -40°C TO +80°C.
 - 3-2 SEALING REQUIREMENTS: IP67.
 - 3-2 LIFE TEST: 1,000 CYCLES MIN.
 - OTHER GENERAL SPEC. TO REFER "M12 SERIES SPEC."
 - FOR TECHNICAL DATA REFER TO YOUR LOCAL SINGATRON ELECTRONICS SALES OFFICE.
 - ALL DIMENSIONS ARE NOMINAL FOR REFERENCE ONLY UNLESS OTHERWISE STATED.
 - TO CONFORM TO SINGATRON HAZARDOUS SUBSTANCE FREE SPEC.
 - GREEN PRODUCT IDENTIFICATION LABEL ON PACKAGING: **GR PASS**.

Pin Assignments
Front View

E	CABLE	1	ODVA (24#*1P+AL) +(22#*1P+AL)+ADB UV RESISTANT OD=φ7.1	GRAY (PVC JACKET)
D	OVER MOLD	1	TPU	BLACK
C	FEMALE SCREW NUT	1	PA66+GF	BLACK
B	MALE PIN	5	COPPER ALLOY	5u" GOLD PLATING 20u" Pd/Ni PLATING OVER NICKEL 50u"
A	BODY	1	TPU	BLACK
NO	DESCRIPTION	QTY	MATERIAL	PLATING & COLOR
UNLESS OTHERWISE SPECIFIED TOLERANCES				
Singatron Enterprise Co., Ltd. 信營企業股份有限公司				
TITLE M12 SERIES 180° 5PIN MALE CONN.				
DECIMALS:	ANGLES:	DWN JAY		
XX :±0.5	X :±2°	PART NO.2MT3012-W05377H		
XX :±0.3	XX :±1'	CHKD Garry	SCALE 2:1	UNIT: mm
XX :±0.2		APVD William	SIZE: A3	SHEET:1 OF 1
CUSTOMER COPY				