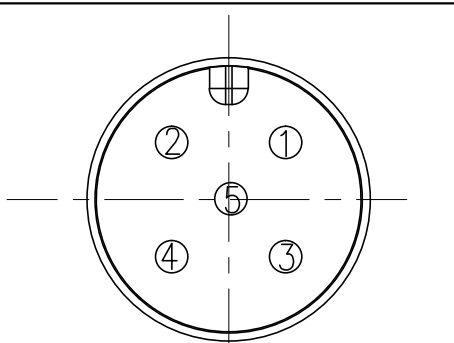
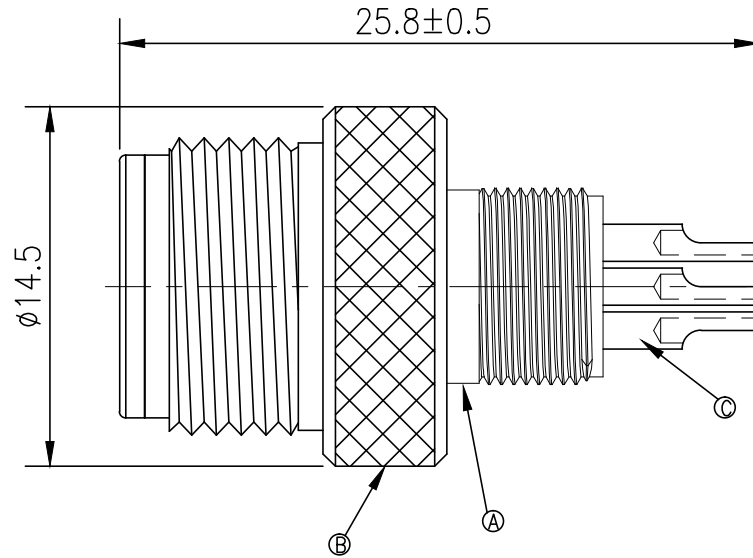
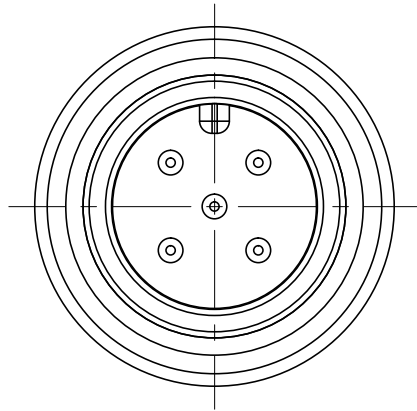


REV.	ECN NO OR DESCRIPTION	REVISED	DATE
A	PDR NO.:T190801-8A	JTT	2019.12.26



Pin Assignments

Front View

NOTES:

1. WATERPROOF RATE: IP67(WHEN PROPERLY MATED)
2. INSULATION RESISTANCE: 100M Ohm Min. BY 500 VDC
3. TEMPERATURE RANGE: -40°C TO +105°C
4. SPECIFICATIONS:SEE "M12 SERIES SPECIFICATIONS".
5. TO CONFORM TO SINGATRON HAZARDOUS SUBSTANCE FREE SPEC.
6. GREEN PRODUCT IDENTIFICATION LABEL ON PACKAGING: **G.P. PASS**

C	MALE PIN	5	BRASS	1~3u"GOLD PLATING OVER NICKEL PLATING
B	SERCW NUT	1	BRASS	OVER NICKEL PLATING
A	BODY	1	TPU	BLACK
NO	DESCRIPTION	QTY	MATERIAL	PLATING & COLOR

UNLESS OTHERWISE SPECIFIED TOLERANCES

Singatron Enterprise Co., Ltd.
信音企業股份有限公司

DECIMALS: ANGLES:
X :±0.5 X :±2°
X.X :±0.3 X.X :±1°
X.XX :±0.2

TITLE	M12 SERIES MALE CONN.(5A)		
DWN	JTT	PART NO.2MT3012-W053D1H	
CHKD	Cerry	SCALE 4:1	UNIT: mm
APVD	William	SIZE: A3	SHEET:1 OF 1
REV: A			

CUSTOMER COPY