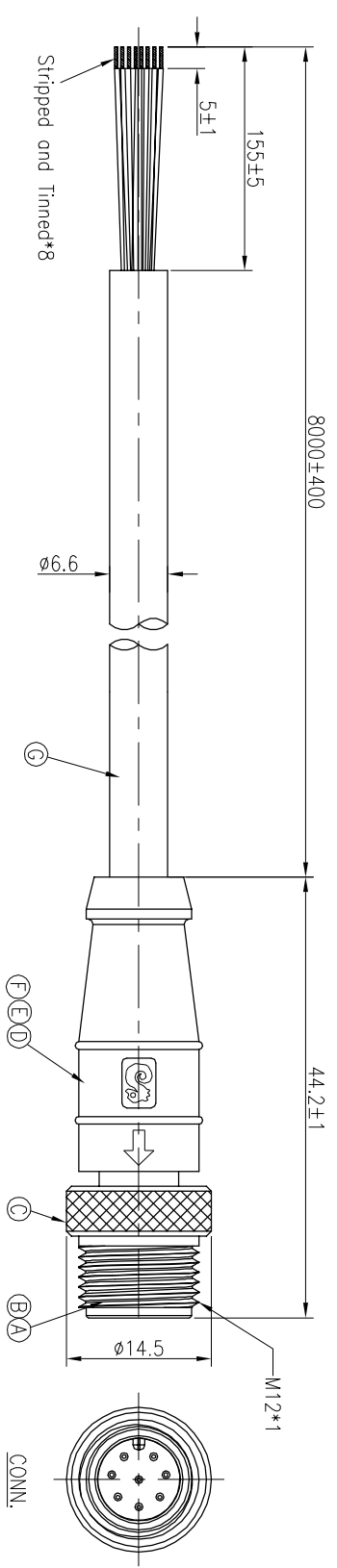
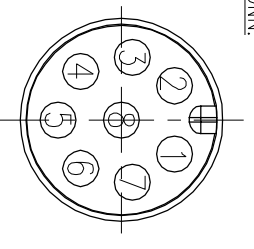


REV.	ECN NO.	OR.	DESCRIPTION	REVISED	DATE
A	PDR NO.:	T191209-2B		MF	2020.04.02



8	BROWN/WHITE	TWIST
7	BROWN	TWIST
6	BLACK/WHITE	TWIST
5	BLACK	TWIST
4	GREEN	
3	YELLOW	
2	ORANGE	
1	RED	
CONN.	WIRE COLOR	
B	PIN OUT	
CONN.		



Pin Assignments Front View

NOTES:

1. WATERPROOF RATE: IP67
2. TEST CONDITIONS:
 - 2-1. CONDUCTANCE RESISTANCE: 3 Ohm MAX
 - 2-2. HI-POT TEST 500VAC/5A OR 2A 5mA(1SEC)
 - 2-3. INSULATION RESISTANCE: 100MΩ MIN. BY 500V DC
 - 2-4. OTHER GENERAL SPEC. TO REFER "CIRCULAR SERIES SPEC".
3. SPECIFICATIONS:SEE "M12 SERIES SPECIFICATIONS".
4. TO CONFORM TO SINGATRON HAZARDOUS SUBSTANCE FREE SPEC.
5. GREEN PRODUCT IDENTIFICATION LABEL ON PACKAGING:

G	CABLE	1	PVC UL2464 24#*2P +24#*4C+A+B	BLACK
F	OVER MOLD	1	TPU	BLACK
E	INNER MOLD	1	TPU	BLACK
D	HEAT SHRINK TUBE	8	125° 300V	BLACK
C	SCREW NUT	1	BRASS	NICKEL PLATING 100u"
B	MALE PIN	7	BRASS	6u" GOLD PLATED OVER NICKEL PLATING
A	BODY	1	TPU	BLACK

UNLESS OTHERWISE SPECIFIED TOLERANCES		Singatron Enterprise Co., Ltd. 信譽企業股份有限公司	
NO	DESCRIPTION	QTY	MATERIAL
DECIMALS: ANGLES:			
X	:±0.5	X	:±2°
X.X	:±0.3	X.X	:±1'
X.XX	:±0.2		
TITLE		M12 SERIES 180° 8PIN MALE CONN.	
DWN	MF	PART NO.	2MT3012-W08243H
CHKD	Cerry	SCALE	2:1
APVD	William	SIZE	A3
		SHEET	1 OF 1
		REV	A

CUSTOMER COPY