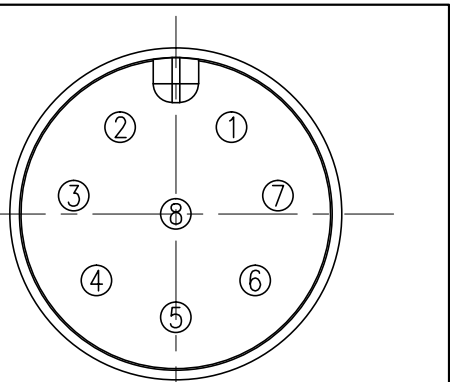
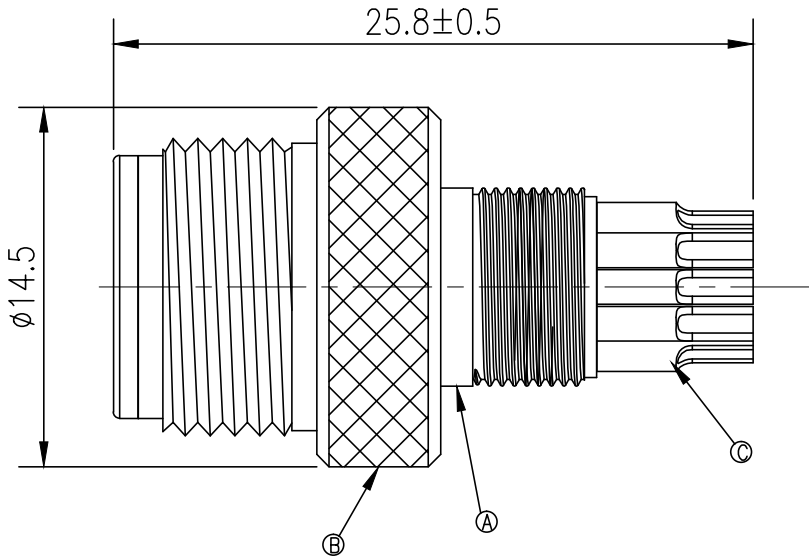
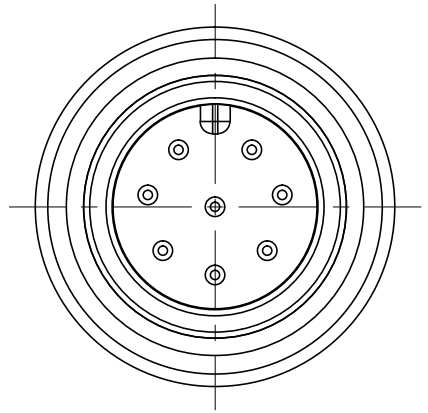


REV.	ECN NO OR DESCRIPTION	REVISED	DATE
A	PDR NO.:T190801-9A	JTT	2019.12.26



Pin Assignments
Front View

- NOTES:
1. WATERPROOF RATE: IP67(WHEN PROPERLY MATED)
 2. INSULATION RESISTANCE: 100M Ohm Min. BY 500 VDC
 3. TEMPERATURE RANGE: -40°C TO +105°C
 4. SPECIFICATIONS:SEE "M12 SERIES SPECIFICATIONS".
 5. TO CONFORM TO SINGATRON HAZARDOUS SUBSTANCE FREE SPEC.
 6. GREEN PRODUCT IDENTIFICATION LABEL ON PACKAGING: **G.P. PASS**

C	MALE PIN	8	BRASS	1~3u" GOLD PLATING OVER NICKEL PLATING
B	SERCW NUT	1	BRASS	OVER NICKEL PLATING
A	BODY	1	PA66+GF	BLACK
NO	DESCRIPTION	QTY	MATERIAL	PLATING & COLOR

UNLESS OTHERWISE SPECIFIED TOLERANCES		Singatron Enterprise Co., Ltd. 信音企業股份有限公司		
DECIMALS:	ANGLES:	TITLE	M12 SERIES MALE CONN.(2A)	
X :±0.5	X :±2°	DWN	JTT	PART NO.2MT3012-W082D1H
X.X :±0.3	X.X :±1°	CHKD	Cerry	SCALE 4:1 UNIT: mm
X.XX :±0.2		APVD	William	SIZE: A3 SHEET:1 OF 1 REV: A
CUSTOMER COPY				