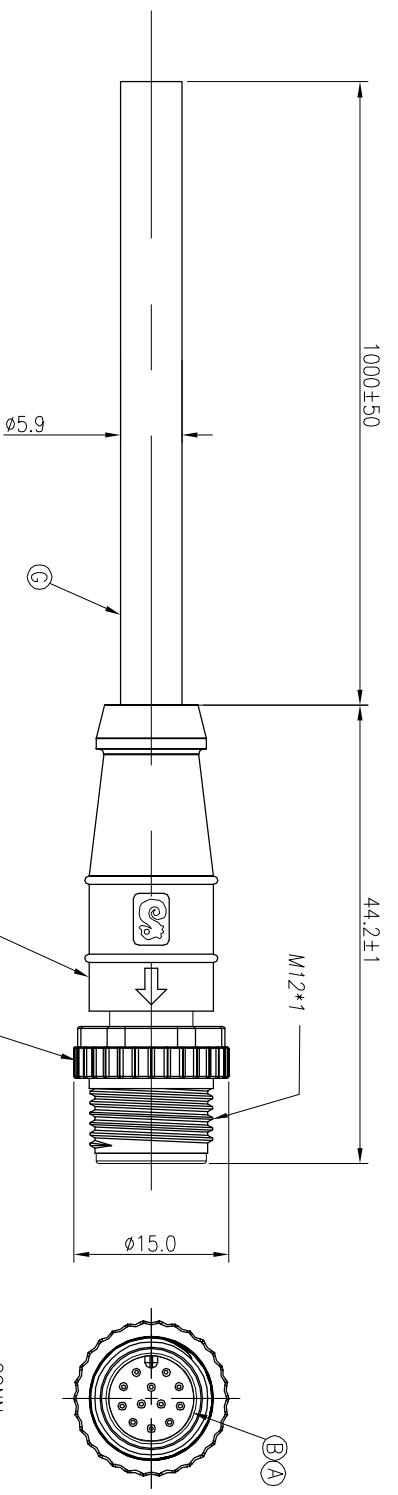
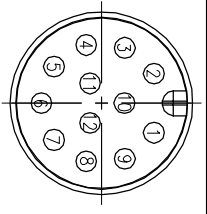


REV.	ECN NO.	OR DESCRIPTION	REVISED	DATE
A	PDR NO:1190627-2A		MF	2019.11.30



WATERPROOF RATE: IP67

WIRE COLOR	CONN.
PIN OUT	
BROWN	1
BLUE	2
WHITE	3
GREEN	4
YELLOW	5
GREY	6
PINK	7
RED	8
BLACK	9
ORANGE	10
PURPLE	11
LIGHT GREEN	12



NOTES:

1. WATERPROOF RATE: IP67
2. RATING: 30V 1A
3. SPECIFICATIONS: SEE "M12 SERIES SPECIFICATIONS".
4. TO CONFORM TO SINGATRON HAZARDOUS SUBSTANCE FREE SPEC.
5. GREEN PRODUCT IDENTIFICATION LABEL ON PACKAGING: **G.P. PASS**

NO	DESCRIPTION	QTY	MATERIAL	PLATING & COLOR
A	BODY	1	TPU	BLACK
B	MALE PIN	12	BRASS	GOLD PLATED OVER NICKEL PLATING
C	SCREW NUT	1	PA66	BLACK
D	OVER MOLD	1	TPU	BLACK
E	INNER MOLD	1	TPU	BLACK
F	HEAT SHRINK TUBE	12	Ø1.5mm 300V 125°C	BLACK
G	CABLE	1	PVC UL2464 26AWG*12C+AL	BLACK

UNLESS OTHERWISE SPECIFIED TOLERANCES

DECIMALS:	ANGLES:
X : ±0.5	X : ±2°
X.X : ±0.3	X.X : ±1°
X.XX : ±0.2	

Singatron Enterprise Co., Ltd.
信譽企業股份有限公司

TITLE	M12 SERIES 180° 12PIN MALE CONN.
DWN	MF
CHKD	Carry
APVD	William
SCALE: 2:1 UNIT: mm	
SIZE: A3 SHEET: 1 OF 1 REV: A	
CUSTOMER COPY	