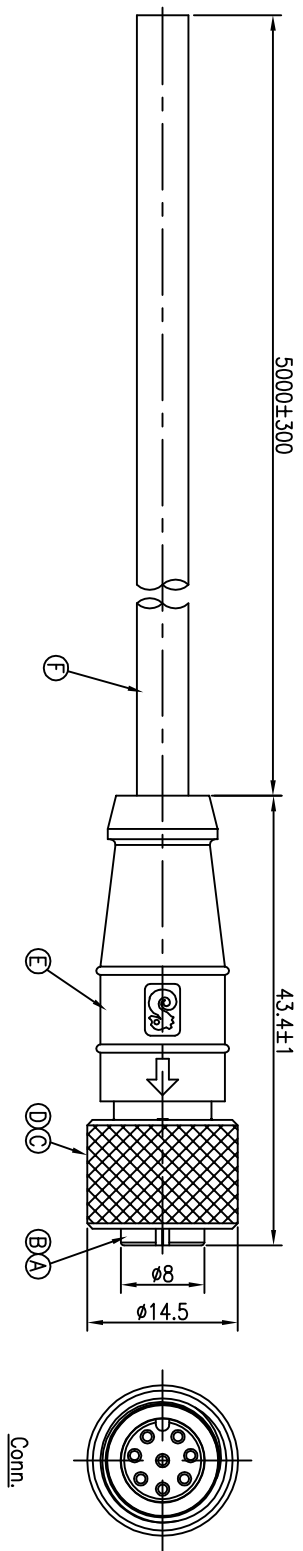
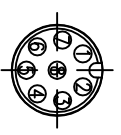


REV.	ECN NO OR DESCRIPTION	REVISED	DATE
A	PDR NO: S170413-12A	Yang	2017.12.28



C	8	RED
	7 <td>BLUE</td>	BLUE
	6 <td>WHITE</td>	WHITE
	5 <td>GREY</td>	GREY
	4 <td>YELLOW</td>	YELLOW
	3 <td>GREEN</td>	GREEN
	2 <td>BROWN</td>	BROWN
	1 <td>BLACK</td>	BLACK
B		WIRE COLOR
		CONN.
		PIN OUT



PIN ASSIGNMENTS  
FRONT VIEW

NOTES:

1. WATERPROOF RATE: IP68  
IP68: IMMERSED IN 1M WATER FOR 24 HOURS
2. SPECIFICATIONS: SEE "M12 SERIES SPECIFICATIONS".
3. SPECIFICATIONS: SEE "M12 SERIES SPECIFICATIONS".
4. TO CONFORM TO SINGATRON HAZARDOUS SUBSTANCE FREE SPEC.
5. GREEN PRODUCT IDENTIFICATION LABEL ON PACKAGING:

F	CABLE	1	NOUL 24AWG*8C+A, Black φ5.4	BLACK(TPU)
E	OVER MOLD	1	TPU	BLACK
D	O-RING	1	VITON	RED
C	SCREW NUT	1	BRASS	NICKEL PLATING
B	FEMALE PIN	8	Phosphor Bronze	GOLD PLATED OVER NICKEL PLATING
A	BODY	1	TPU	BLACK
NO	DESCRIPTION	QTY	MATERIAL	PLATING & COLOR

UNLESS OTHERWISE SPECIFIED TOLERANCES

DECIMALS: ANGLES:

X :±0.5 X :±2'  
X.X :±0.3 X.X :±1'  
X.XX :±0.2

Singatron Enterprise Co., Ltd.  
信言企業股份有限公司

TITLE M12 SERIES 180°(3~8)PIN FEMALE CONN.

DWN Yang PART NO. 2MT3020-W08204H

CHKD JF SCALE 2:1 UNIT: mm

APVD Steve SIZE: A3 SHEET: 1 OF 1 REV: A

CUSTOMER COPY