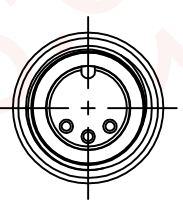
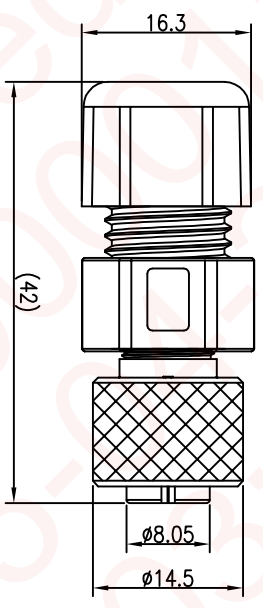
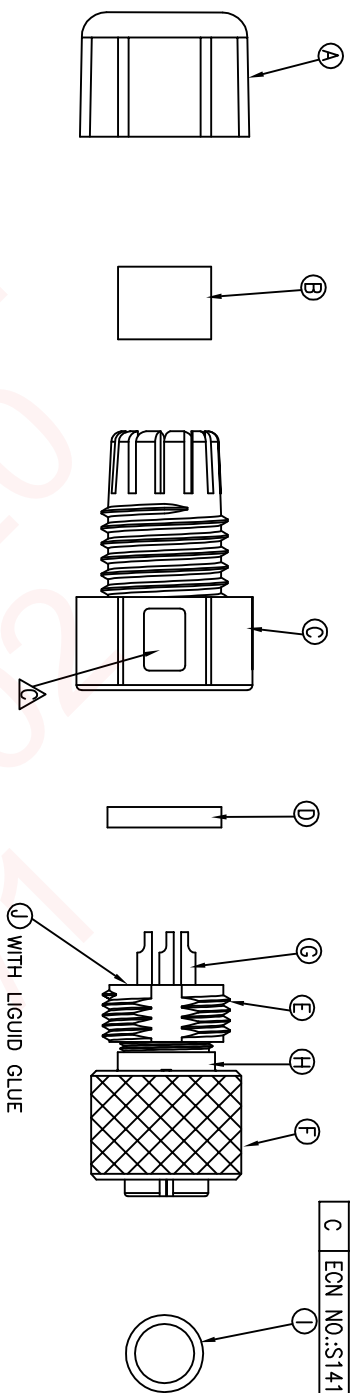
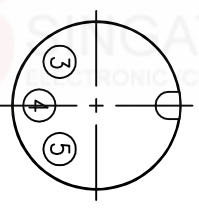


REV.	ECN NO.	OR DESCRIPTION	REVISED	DATE
A	PDR NO.:S100615-11	LILY		2010.08.23
B	ECN NO.:S130725	YF		2014.08.13
C	ECN NO.:S141261	△	LN	2015.04.07



- NOTES:
1. WATERPROOF RATE: IP67
  2. SPECIFICATIONS: SEE M12 SERIES SPECIFICATIONS™.
  3. TO CONFORM TO SINGATRON HAZARDOUS SUBSTANCE FREE SPEC.
  4. GREEN PRODUCT IDENTIFICATION LABEL ON PACKAGING:



Pin Assignments  
Front View

J	LIQUID GLUE	1	N/A	BLACK
I	O-RING	1	VITON	RED
H	BODY	1	NYLON+33%GF(70G33L)	BLACK
G	FEMALE PIN	3	Phosphor Bronze Alloy	GOLD PLATED OVER NICKEL PLATING
F	SCREW NUT	1	BRASS	NICKEL PLATED
E	SCREW NUT	1	NYLON+33%GF(70G33L)	BLACK
D	GASKET	1	SILICONE	BLACK
C	CLAMP RING	1	PC	BLACK
B	SEAL	1	EPDM	BLACK
A	SEALING NUT	1	PC	BLACK
NO	DESCRIPTION	QTY	MATERIAL	PLATING & COLOR
UNLESS OTHERWISE SPECIFIED TOLERANCES				
Singatron Enterprise Co., Ltd. 信譽企業股份有限公司				
TITLE M12 SERIES SIZE (IP67) FEMALE CONN. FEMALE 3PIN ASSEMBLY TYPE				
DECIMALS:	ANGLES:			
X :±0.5	X :±2°			
X.X :±0.3	X.X :±1°			
X.XX :±0.2				
DWG LIN PART NO.:M12032-W032A0 CHKD Yang SCALE 2:1 UNIT: mm APVD Harden SIZE: A3 SHEET: 1 OF 1 REV: C				

CUSTOMER COPY