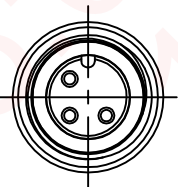
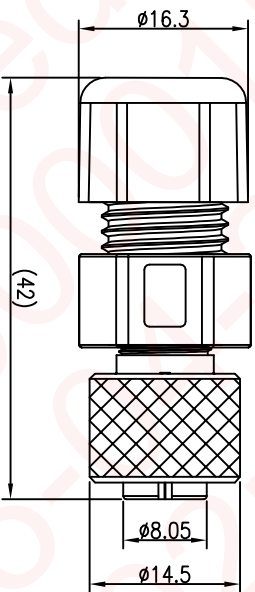
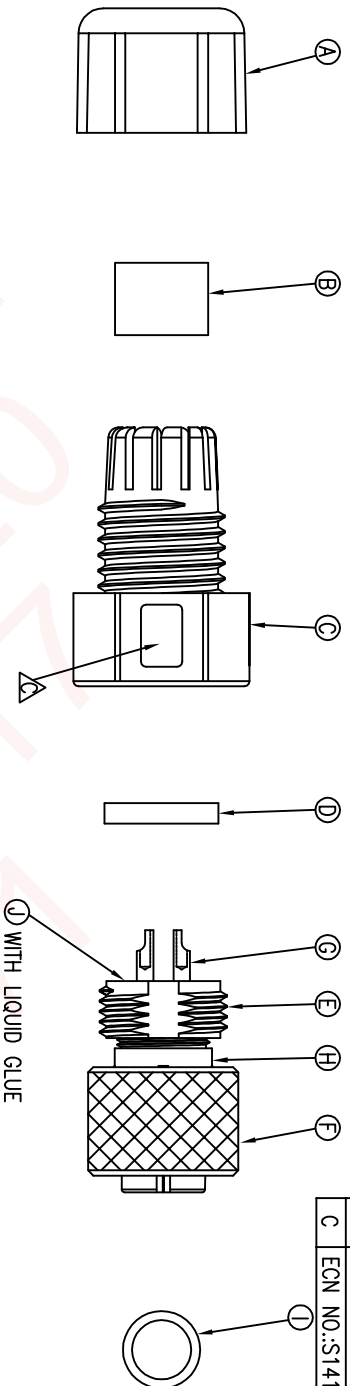
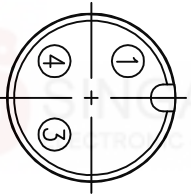


REV.	ECN NO.	OR DESCRIPTION	REVISED	DATE
A	PDR NO.:S110114-2B	Shown	2011.02.23	
B	ECN NO.:S130725	YF	2014.08.13	
C	ECN NO.:S141261	△ UN	2015.04.07	



- NOTES:
1. WATERPROOF RATE: IP68  
IP68: IMMERSED IN 1M WATER FOR 24 HOURS
  2. SEAL FOR CABLE OD:ø4.0mm~ø6.5mm
  3. SPECIFICATIONS:SEE M12 SERIES SPECIFICATIONS."
  4. TO CONFORM TO SINGATRON HAZARDOUS SUBSTANCE FREE SPEC.
  5. GREEN PRODUCT IDENTIFICATION LABEL ON PACKAGING:



Pin Assignments  
Front View

J	LIQUID GLUE	1	N/A	BLACK
I	O-RING	1	VITON	RED
H	BODY	1	NYLON+GF	BLACK
G	FEMALE PIN	3	Phosphor Bronze	6u" GOLD PLATING OVER NICKEL PLATING
F	SCREW NUT	1	BRASS	NICKEL PLATING 100u"
E	SCREW NUT	1	NYLON+GF	BLACK
D	GASKET	1	SILICONE	BLACK
C	CLAMP RING	1	PC	BLACK
B	SEAL	1	EPDM	BLACK
A	SEALING NUT	1	PC	BLACK
NO	DESCRIPTION	QTY	MATERIAL	PLATING & COLOR
UNLESS OTHERWISE SPECIFIED TOLERANCES				
Singatron Enterprise Co., Ltd. 信營企業股份有限公司				
TITLE M12 SERIES (IP68) FEMALE CONN				
FEMALE 3PIN ASSEMBLY TYPE				
DECIMALS:	ANGLES:			
X : ±0.5	X : ±2°			
X.X : ±0.3	X.X : ±1°			
X.XX : ±0.2				
DWN	LIN	PART NO.2MT3032-W03300		
CHKD	Yang	SCALE 2:1	UNIT: mm	
APVD	Horlen	SIZE: A3	SHEET:1 OF 1	REV: C

CUSTOMER COPY