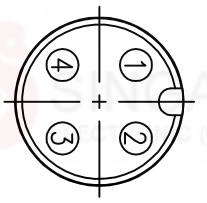
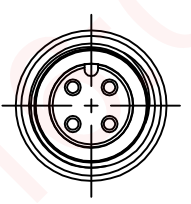
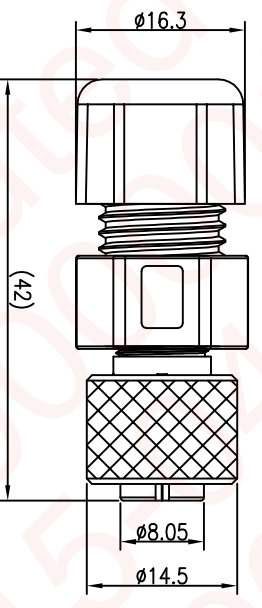
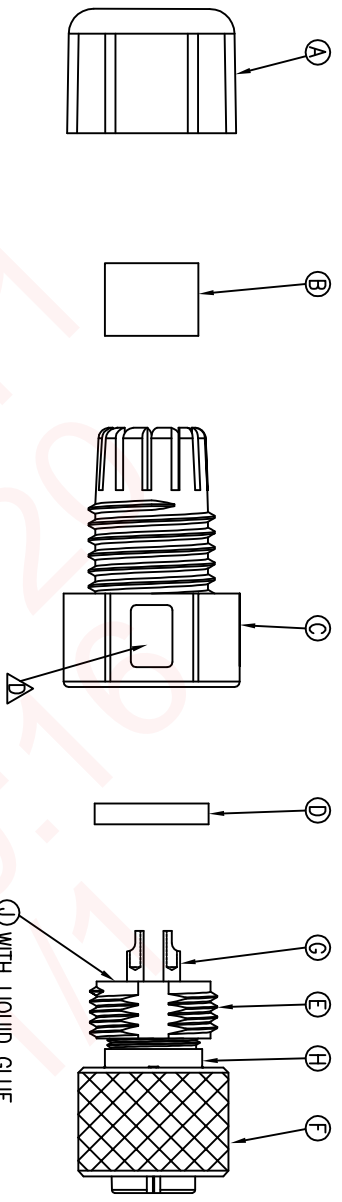


REV.	ECN NO OR DESCRIPTION	REVISED	DATE
A	PDR NO.:S100723-3B	Shown	2010.07.20
B	PDR NO.:S130963	Shown	2013.09.28
C	ECN NO.S130725	YF	2014.08.13
D	ECN NO.:S141261	Δ	2015.04.07



- NOTES:
1. WATERPROOF RATE: IP68  
IP68: IMMersed IN 1M WATER FOR 24 HOURS
  2. SEAL FOR CABLE OD:φ4.0mm~φ6.5mm
  3. SPECIFICATIONS:SEE M12 SERIES SPECIFICATIONS."
  4. TO CONFORM TO SINGATRON HAZARDOUS SUBSTANCE FREE SPEC.
  5. GREEN PRODUCT IDENTIFICATION LABEL ON PACKAGING:

Pin Assignments  
Front View

J	LIQUID GLUE	1	N/A	BLACK
I	O-RING	1	VITON	RED
H	BODY	1	NYLON+GF	BLACK
G	FEMALE PIN	4	Phosphor Bronze	6uin GOLD PLATING OVER NICKEL PLATING
F	SCREW NUT	1	BRASS	NICKEL PLATING 100uin
E	SCREW NUT	1	NYLON+GF	BLACK
D	GASKET	1	SILICONE	BLACK
C	CLAMP RING	1	PC	BLACK
B	SEAL	1	EPDM	BLACK
A	SEALING NUT	1	PC	BLACK
NO	DESCRIPTION	QTY	MATERIAL	PLATING & COLOR

UNLESS OTHERWISE SPECIFIED TOLERANCES

Singatron Enterprise Co., Ltd.  
信亨企業股份有限公司

TITLE M12 SERIES (IP68) FEMALE CONN  
FEMALE 4PIN ASSEMBLY TYPE

DECIMALS: ANGLES:

DWN :±0.5 X :±2  
CHKD :±0.3 X.X :±1'  
APVD :±0.2 X.XX :±0.2

CUSTOMER COPY