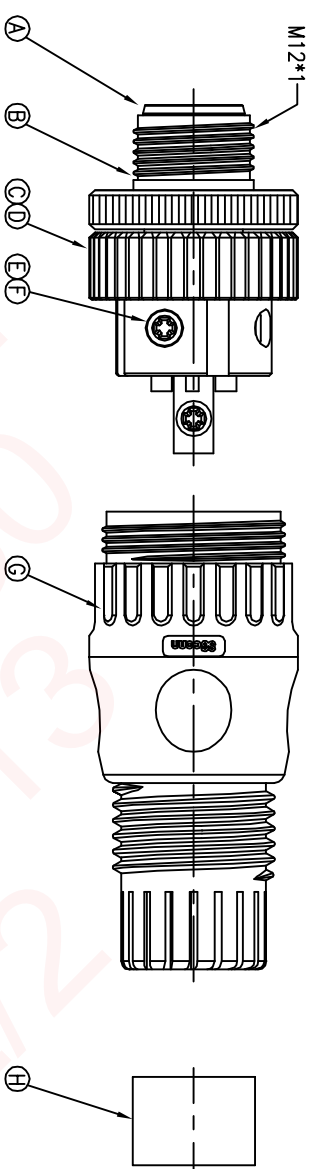


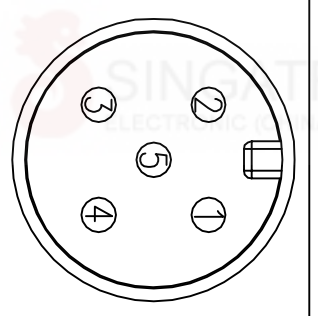
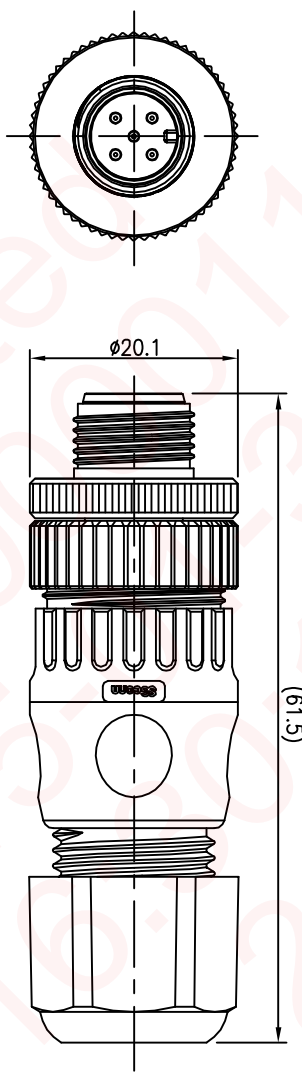
REV/ECN NO OR DESCRIPTION	REVISED	DATE
A   PDR NO:T140421-13B	JF	2015.01.29



文員  
陳環城

DCC(SZ)

2015/01/29  
16:10:19



Pin Assignments  
Front View

- NOTES:
- ELECTRICAL CHARACTERISTICS:
    - CURRENT RATING: 5 AMPS.
    - CONTACT RESISTANCE: 30 mΩm Max.
    - INSULATION RESISTANCE: 100 MΩm Min. at 500VDC.
    - BREAKDOWN VOLTAGE: 500 VAC PER MINUTE.
  - MECHANICAL CHARACTERISTICS:
    - CONTACT ACCOMMODATION: 2-~22AWG.
    - TIGHTENING TORQUES: 1.0~1.2Nm(8.85~10.62lbf.in.).
  - ENVIRONMENTAL:
    - OPERATING TEMPERATURE: -40°C TO +105°C.
    - SEALING REQUIREMENTS: IP67.
    - CABLE ACCEPTANCE: 6.0~9.0mm.
    - LIFE TEST: 1,000 CYCLES MIN.
    - OTHER GENERAL SPEC. TO REFER "M12 SERIES SPEC."
    - FOR TECHNICAL DATA REFER TO YOUR LOCAL SINGATRON ELECTRONICS SALES OFFICE.
    - ALL DIMENSIONS ARE NOMINAL FOR REFERENCE ONLY UNLESS OTHERWISE STATED.
    - TO CONFORM TO SINGATRON HAZARDOUS SUBSTANCE FREE SPEC.
    - GREEN PRODUCT IDENTIFICATION LABEL ON PACKAGING:

I	SEALING NUT	1	PA66	BLACK
H	SEAL	1	EPDM	BLACK
G	CLAMP RING	1	PA66	N/A
F	SCREW	5	STEEL	N/A
E	MALE PIN	5	BRASS	6u" GOLD PLATING
D	O-RING	1	SILICONE	BLACK
C	SCREW NUT2	1	PA66	BLACK
B	SCREW NUT1	1	BRASS	NICKEL
A	BODY	1	PA66+GF	BLACK
NO	DESCRIPTION	QTY	MATERIAL	PLATING & COLOR

UNLESS OTHERWISE SPECIFIED TOLERANCES

Singatron Enterprise Co., Ltd.  
信譽企業股份有限公司

DECIMALS:	ANGLES:	TITLE
X :±0.5	X :±2°	M12 SERIES SIZE (IP67)
XX :±0.3	XX :±1'	MALE CONN. MALE SPIN ASSEMBLY TYPE
XXX :±0.2		DWN JF
		CHKD Yang
		APVD Harlen
		SCALE 2:1 UNIT: mm
		SIZE: A3 SHEET: 1 OF 1 REV: A

CUSTOMER COPY