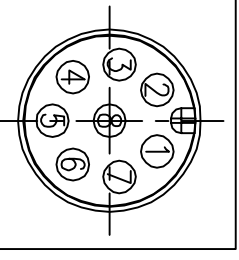
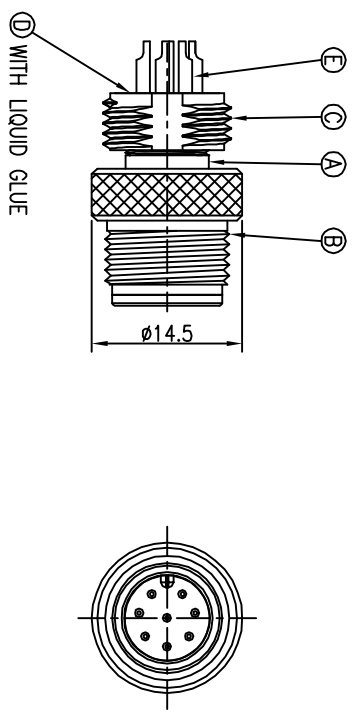


REV.	ECN NO	OR DESCRIPTION	REVISED	DATE
A	PDR NO.:S170613-2A	Yang		2017.12.27



Pin Assignments
Front View

- NOTES:
1. WATERPROOF RATE: IP68
 2. SPECIFICATIONS: SEE M12 SERIES SPECIFICATIONS.
 3. TO CONFORM TO SINGATRON HAZARDOUS SUBSTANCE FREE SPEC.
 4. GREEN PRODUCT IDENTIFICATION LABEL ON PACKAGING:

E	MALE PIN	8	BRASS	6u" GOLD PLATING OVER NICKEL PLATING
D	LIQUID GLUE	1	N/A	BLACK
C	SCREW NUT	1	NYLON+GF	BLACK
B	SCREW NUT	1	BRASS	NICKEL PLATING 60u"
A	BODY	1	NYLON+GF	BLACK
NO	DESCRIPTION	QTY	MATERIAL	PLATING & COLOR
UNLESS OTHERWISE SPECIFIED TOLERANCES				
Singatron Enterprise Co., Ltd. 信登企業股份有限公司				
TITLE: M12 SERIES (IP68) MALE CONN				
DWN: Yang				
CHKD: JF				
APVD: Steve				
PART NO. 2MT3033-W08201H				
SCALE 2:1 UNIT: mm				
SIZE: A3 SHEET: 1 OF 1 REV: A				
CUSTOMER COPY				

DECIMALS: ANGLES:

X :±0.5 X :±2°

X.X :±0.3 X.X :±1°

X.XX :±0.2