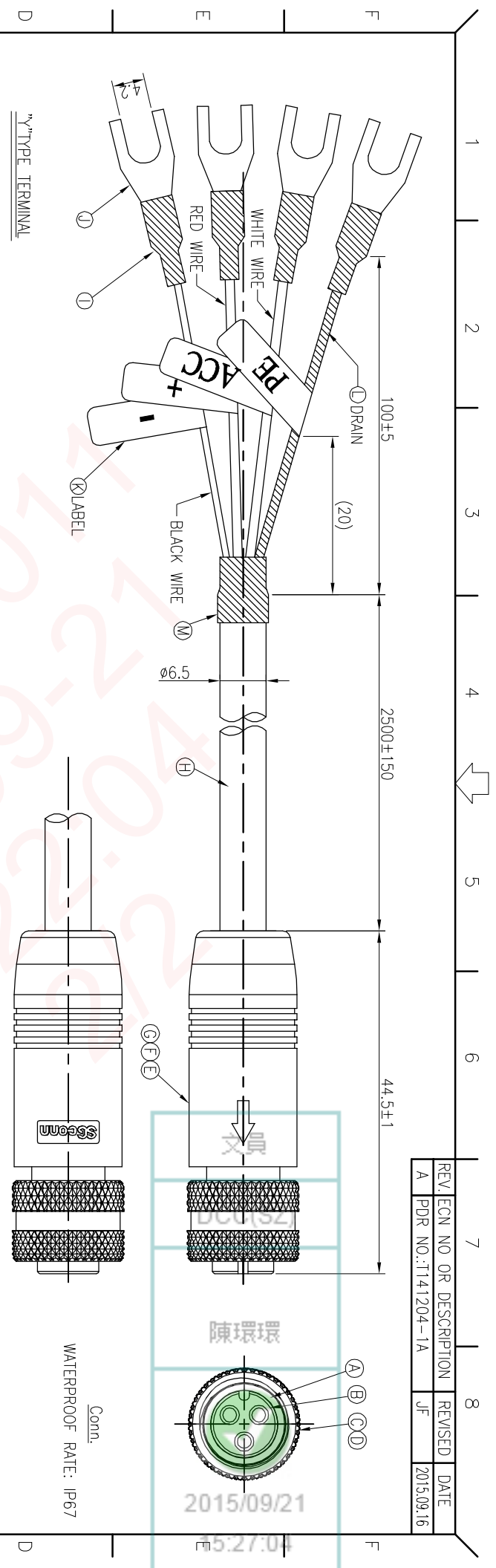
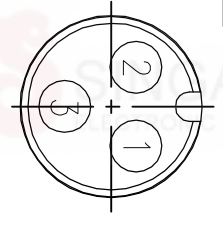


REV	ECN NO	OR	DESCRIPTION	REVISED	DATE
A	PDR NO.:T141204-1A	JF			2015.09.16



PE	DRRAIN	SHIELD
-	BLACK(-)	3
ACC	WHITE(ACC)	2
+	RED(+)	1
LABEL CONTENT		WIRE COLOR
PIN OUT		CONN.



Pin Assignments
Front View

NOTES:

1. WATERPROOF RATE: IP67
2. IMMERSED IN 1M WATER FOR 30 MINUTES
3. CURRENT RATING: 10A
4. CABLE BRAID DENSITY: 85%
5. PRODUCT OPERATING TEMPERATURE: -30°C TO +80°C
6. PRODUCT STORAGE CONDITIONS: TEMPERATURE BELOW 45°C, HUMIDITY BELOW 65%
7. NON-HUMAN FACTORS CASE SERVICE LIFE IS 5 YEARS
8. SPECIFICATIONS SEE "CIRCULAR SERIES SPECIFICATIONS"
9. TO CONFORM TO SINGATRON HAZARDOUS SUBSTANCE FREE SPEC.
10. GREEN PRODUCT IDENTIFICATION LABEL ON PACKAGING: **[see table]**

M	HEAT SHRINK TUBE	1	Ø7.0 125°C 300V	BLACK
L	HEAT SHRINK TUBE	1	Ø1.5 125°C 300V	GREEN
K	LABEL	4	L40*W7.5	WHITE
J	TERMINAL	4	BRASS	TIN PLATING
I	HEAT SHRINK TUBE	4	Ø4.0*20mm	BLACK
H	CABLE	1	UL2464 18#*3C+ADB (UV) -40°C~+80°C	BLACK (PVC JACKET)
G	INNER MOLD	1	TPU	NATURAL
F	OVER MOLD	1	PVC	BLACK
E	SHIELD	1	BRASS	NICKEL PLATING
D	O-RING	1	VITON	RED
C	SCREW NUT	1	BRASS	NICKEL PLATING
B	FEMALE PIN	3	Phosphor Bronze Alloy	6u" GOLD PLATED OVER NICKEL PLATING
A	BODY	1	PA66+30%GF	BLACK
NO	DESCRIPTION	QTY	MATERIAL	PLATING & COLOR

UNLESS OTHERWISE SPECIFIED TOLERANCES

DECIMALS:	ANGLES:
X :±0.5	X :±2°
X.X :±0.3	X.X :±1°
X.XX :±0.2	

Singatron Enterprise Co., Ltd.
信營企業股份有限公司

TITLE: M12 SERIES 180° FEMALE CONN 3 PIN(10A) WITH SHIELD
DWG: JF
PART NO.: 2MT3060-W03401H
CHKD: Yang
SCALE: 2:1
UNIT: mm
APVD: Harlen
SIZE: A3
SHEET: 1 OF 1
REV: A

CUSTOMER COPY